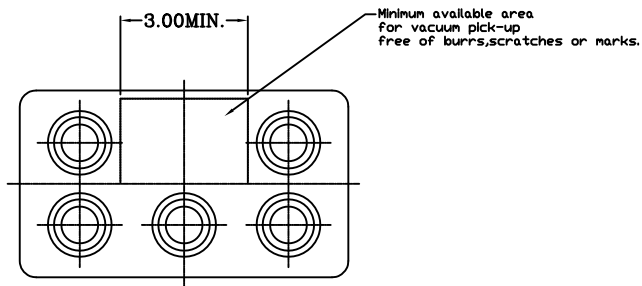


THIS INFORMATION IS CONFIDENTIAL AND IS DISCLOSED TO YOU ON CONDITION THAT NO FURTHER DISCLOSURE IS MADE BY YOU TO OTHER THAN TOP-LINK PERSONNEL WITHOUT WRITTEN AUTHORIZATION FROM TOP-LINK LTD.

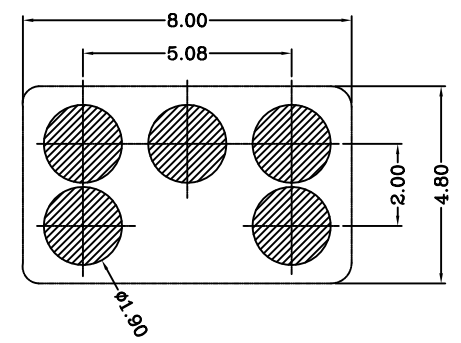
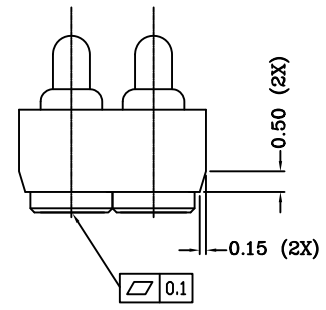
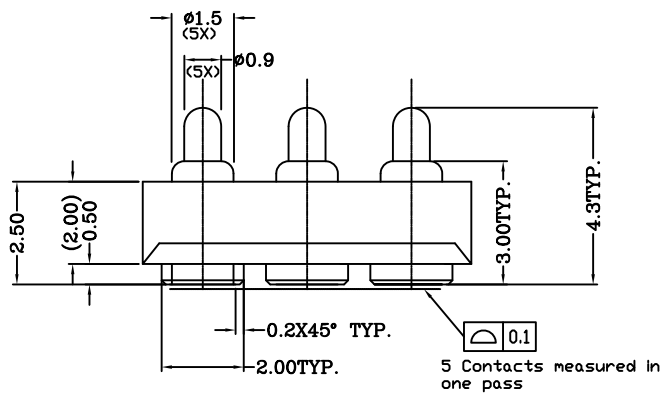
DWG NO.
C-100056



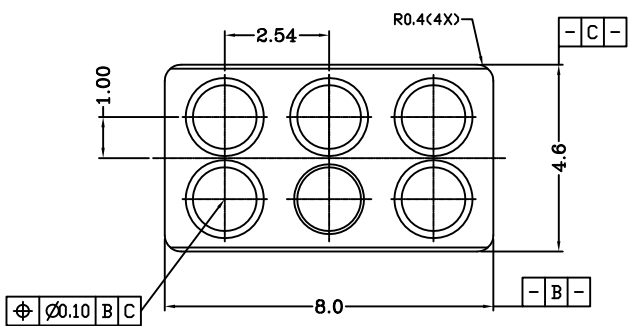
USED ON _____



Notes:
 1 Material, Housing: PA 4.6 (30% Glass Filled)
 Color Black.
 Contact: Brass
 2 Mechanical demands:
 Plating postion: 0.4um Au over 1.4um Ni
 Plating barrel: 0.1um Au over 1.4um Ni.



Recommended P.C.B. layout



100056-5
PART NUMBER

DIMENSIONS IN MM TOLERANCES UNLESS OTHER SPECIFIED		MATL	HT TR	FIN
0 = ±-		1	-	- ✓
0.0 = ±0.15		DWN	APVD	
0.00 = ±0.10		CHK	REL	top-Link Top-Link Electronics Electronics Ltd.
0.000 = ±		NAME BATTERY POGO CONNECTOR 5 POSITIONS		
ANGLE: ±1°		PGC-1.5-4.3-2R-5P-2.54PH		
SURF TEXTURE: 3.2/√		SCALE	DWG NO.	SHEET
REMOVE BURRS. BREAK SHARP EDGES R0.05 MAX DO NOT SCALE PRINT		1:1	A4 C-100056	1 OF 1
				REV B

LDC	-
DIST	-

	update remark		2007/09/10
LTR	REVISION RECORD	APVD	DATE