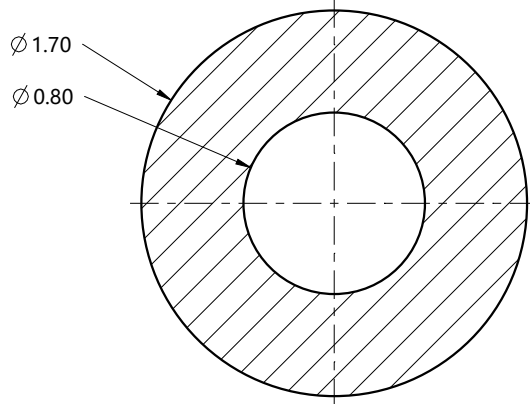
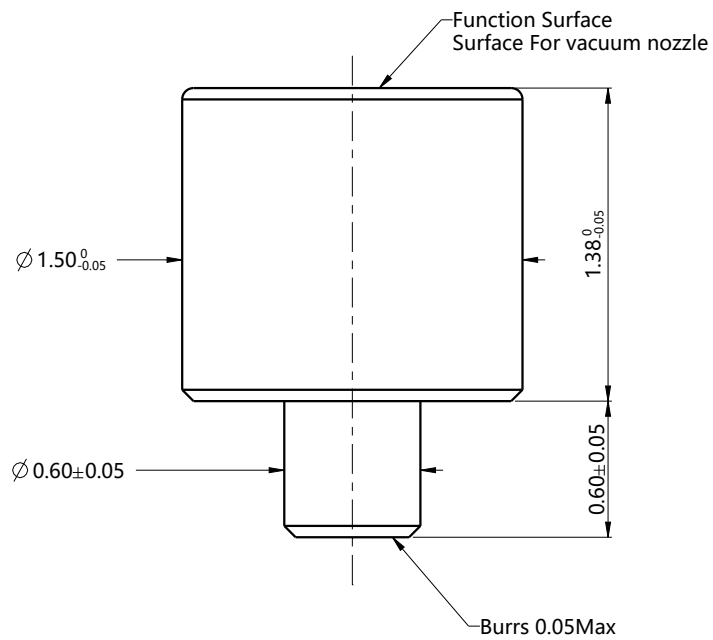
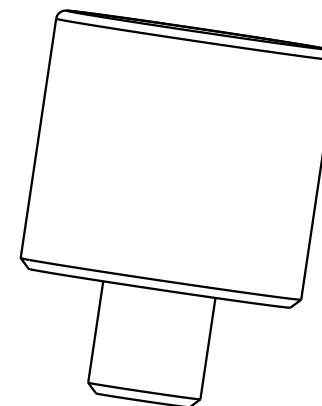


THIS INFORMATION IS CONFIDENTIAL AND IS DISCLOSED TO YOU ON CONDITION THAT NO FURTHER DISCLOSURE IS MADE BY YOU TO OTHER THAN TOP-LINK PERSONNEL WITHOUT WRITTEN AUTHORIZATION FROM TOP-LINK LTD.



RECOMMEND PCB LAYOUT(TOP VIEW)
Layout Tolerance: $\pm 0.05\text{mm}$

- Notes:
- Dimensions shall be interpreted per ASME Y14.5M
 - Electrical performance
 - <2.1>Current rating: 2.0A MAX
 - <2.2>Voltage rating: 36VAC/DC
 - <2.3>Contact Resistance:30mOhm Max.
 - Environmental performance
 - <3.1>RoHS2.0/CA65/REACH compliant
 - <3.2> Salt Spray:96h Min
Artificial Sweat test:96H Min
 - <3.3>Operating Temperature range:-40°C~+85°C
 - <3.4>Withstanding High Temperature:260°C/10Sec
 - Packaging:Carrier tape.



ⓧB

1	Pin	1pcs	Lead-Free Brass	Au 0.40um min plated over 0.10um min Pd +1.4um min Ni
Item	Part Name	Q'TY	Material	Finish
Type: Customer Drawing			Unit: mm	<i>top-link</i>
DRW: Yang.cb		APRD:		
CHK:		REL:		
Name: SOLIDPin				
Scale: 1:1	Size: A4		Part NO. 10101013365	Page: 1/1
			Rev: XB	

Top-Link
Electronics LTD.

TOLERANCES UNLESS
OTHER SPECIFIED

0. = ± 0.25
 0.0 = ± 0.15
 0.00 = ± 0.10
 0.000 = ± 0.005

Angle: $\pm 1^\circ$
 SURF TEXTURE:Ra1.6
 REMOVE BURRS.
 BREAK SHARP
 EDGES R0.05 MAX.

XB	Update Plating	2020.07.27
XA	New release	2020.06.01
Item	Revision record	Date