

THIS INFORMATION IS CONFIDENTIAL AND IS DISCLOSED TO YOU ON CONDITION THAT NO FURTHER DISCLOSURE IS MADE BY YOU TO OTHER THAN TOP-LINK PERSONNEL WITHOUT WRITTEN AUTHORIZATION FROM TOP-LINK LTD.

DWN No.: 10110031602



proposal

Item	Part name	Q'ty/Ea'	Material	Finish
1	HSG	1	High temp.Plastic UL94 V-0 Color Black	_____
2	Body	3	Leaded Brass	Gold plating over Nickel plating
3	Plunger	3	Leaded Brass	Gold plating over Nickel plating
4	Spring	3	Stainless steel wire	_____
5	Magnet	2	NdFeB	Nickel plating

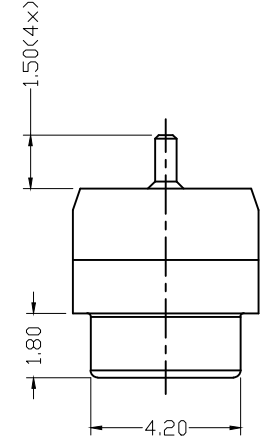
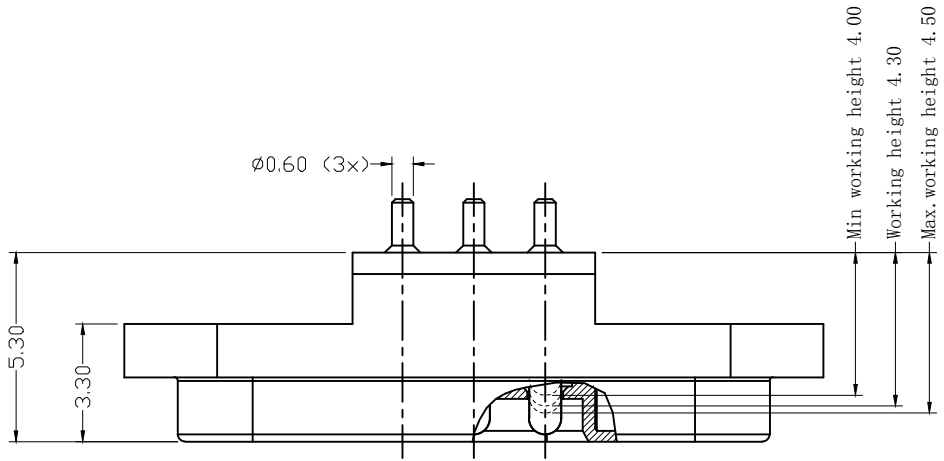
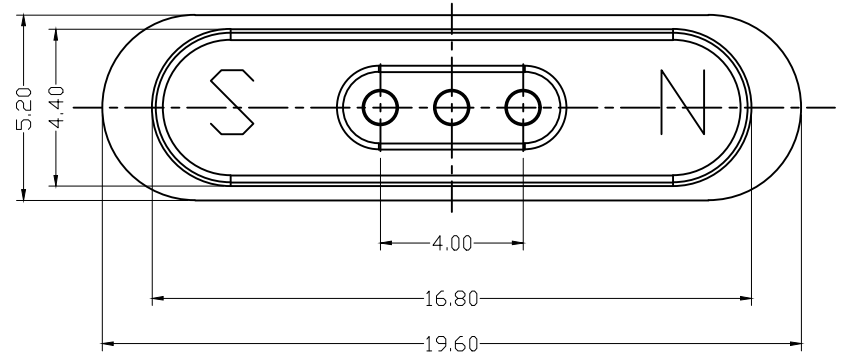


Table 1 Mechanical performance		
Working height	4.30mm	45±15gf <2.1>
Durability	10000cycle	



Notes:
 1 Dimensions shall be interpreted per ASME Y14.5M.
 2 Mechanical performance(See the table 1)
 <2.1>The force is the average of forces obtained when plunger goes downwards and upwards.
 <2.2>Warning: Working height are not permitted to be less than Min working height.
 3 Electrical performance
 Resistance: 30mOhm Max.
 Operating voltage: 36VDC MAX.
 Current rating: 2.0A
 4 RoHS compliant.

10110031602
PART NUMBER

DIST

DIST

A	NEW	2015/03/19
Rev.	Revision record.	Date.

Top-Link Electronics Ltd.		Type	Customer drawing	Unit	mm	Weight					
TOLERANCES UNLESS OTHER SPECIFIED		DWN:	Minos	APVD:							
0. = ± -		CHK:		REL:			Top-Link Electronics Ltd.				
0.0 = ± 0.20		Name				POGO PIN CONNECTOR					
0.00 = ± 0.15		Scale	1:1	Size	A4	DWG No.	10110031602	Page	1/1	Rev.	A
0.000 = ± -											
Angle: ±'											
SURF TEXTURE: REMOVE BURRS.											
BREAK SHARP EDGES R0.05 MAX.DO NOT SCALE PRINT.											