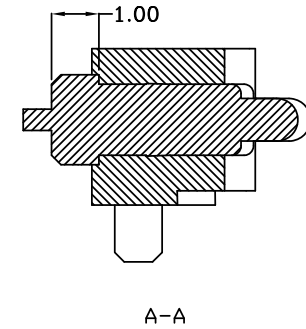
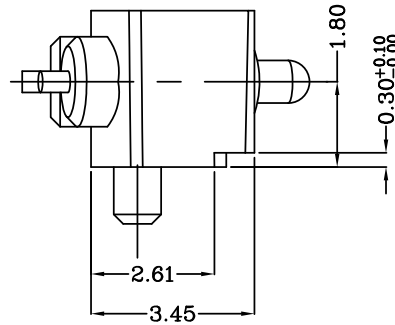
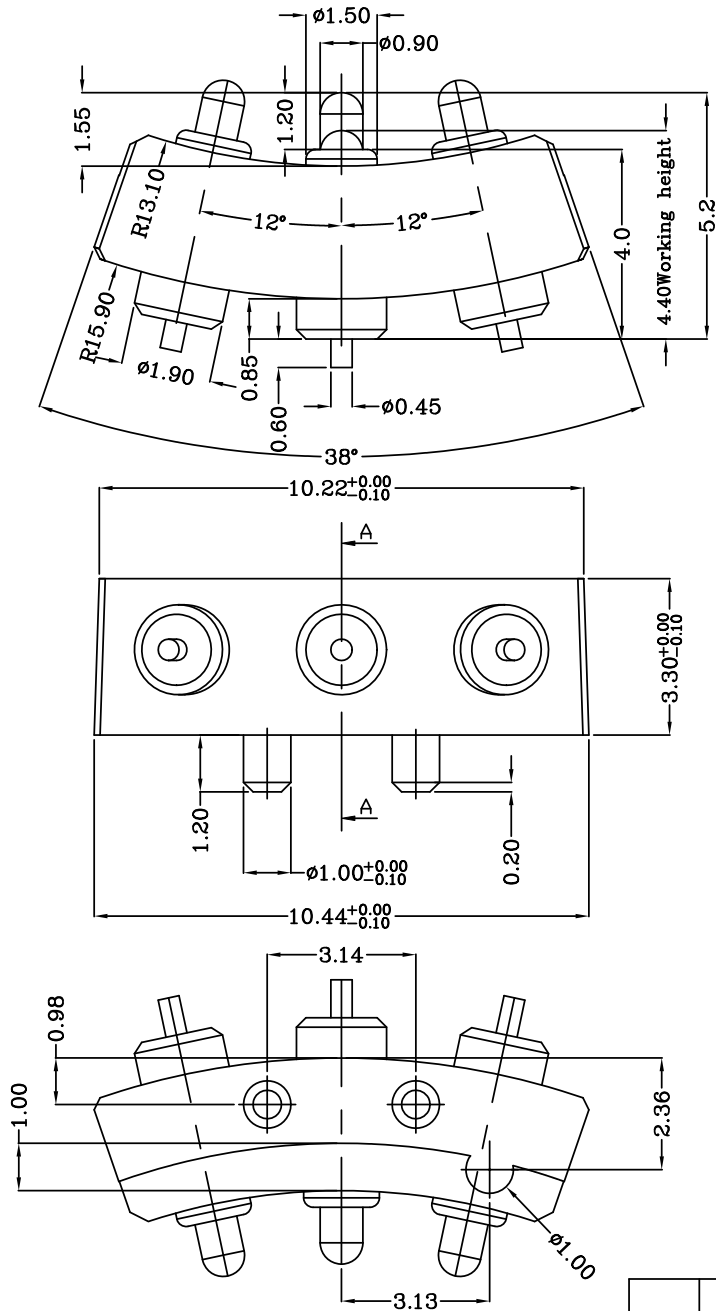


DWG NO. C-110344



THIS INFORMATION IS CONFIDENTIAL AND IS DISCLOSED TO YOU ON CONDITION THAT NO FURTHER DISCLOSURE IS MADE BY YOU TO OTHER THAN TOP-LINK PERSONNEL WITHOUT WRITTEN AUTHORIZATION FROM TOP-LINK LTD.

LDC	-
DIST	-



USED ON -

- Notes:
- 1 Material, Housing: PA 4.6 (30% Glass Filled)
Color Black.
Contact: Brass
 - 2 Mechanical demands:
Plating Plunger: Min 0.4Um Au over 1.4um Ni
Plating Body: Min 0.1Um Au over 1.4um .
 - 3 Mechanical
1) Total stroke : 1.0mm
2) Durability: 10,000 cycle min.
 - 4 Electrical
1) Contact resistance: 30mOhm Max.
2) Operating voltage: 36VDC

110344-3

PART NUMBER

DIMENSIONS IN MM
TOLERANCES UNLESS
OTHER SPECIFIED
0 = ±
0.0 = ±0.15
0.00 = ±0.10
0.000 = ±
ANGLE: ±1°
SURF TEXTURE: 3.2/
REMOVE BURRS. BREAK
SHARP EDGES R0.05 MAX
DO NOT SCALE PRINT

MATL	△ 1	HT TR	-	FIN	- ✓
DWN	Qin	APVD	Lansing	top-Link Top-Link Electronics Ltd.	
CHK	Jim	REL		Electronics	
NAME	POGO 3P PGC-1.5-5.2-CR-3P-12D				
SCALE	1:1	A4	DWG NO.	C-110344	SHEET 1 OF 1
REV	A				

LTR	NEW	APVD	DATE
	REVISION RECORD		2008/07/17

4

3

2

1

D

C

B

A