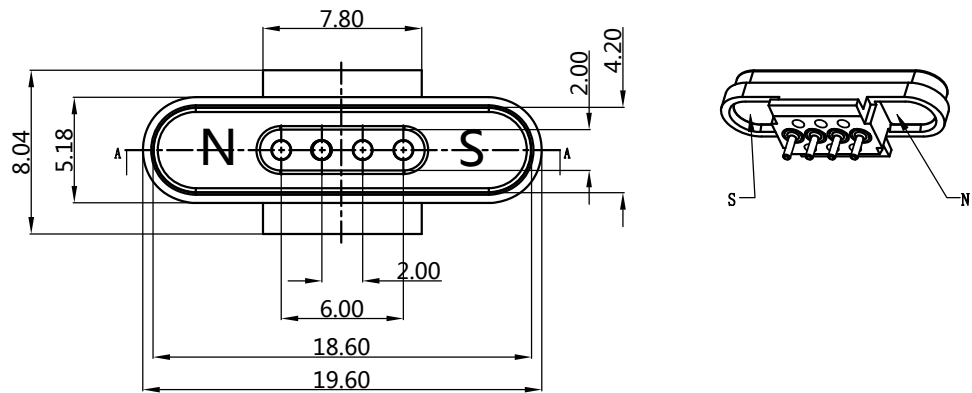
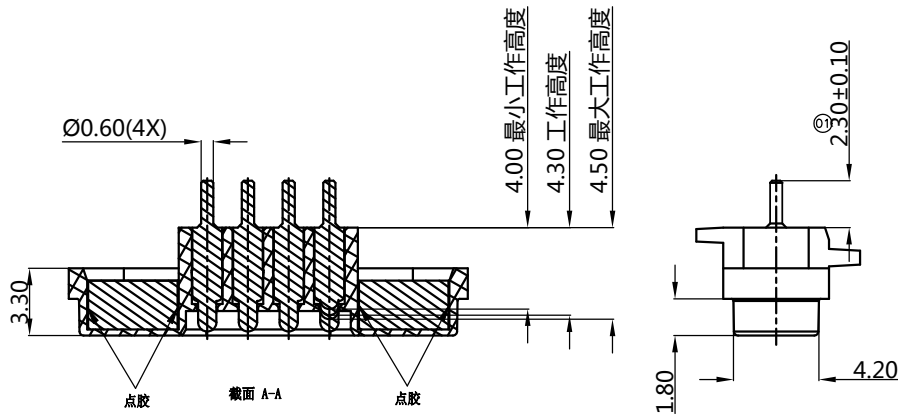


THIS INFORMATION IS CONFIDENTIAL AND IS DISCLOSED TO YOU ON CONDITION THAT NO FURTHER DISCLOSURE IS MADE BY YOU TO OTHER THAN TOP-LINK PERSONNEL WITHOUT WRITTEN AUTHORIZATION FROM TOP-LINK LTD.



**Notes:**

- 1 Dimensions shall be interpreted per ASME Y14.5M
- 2 Mechanical performance(See the table 1)
  - <2.1>The force is the average of forces obtained when plunger goes downwards and upwards
  - <2.2>Warning:Working height are not permitted to be less than Min working height
- 3 Electrical performance
  - <3.1>Current rating: 2.0A
  - <3.2>Voltage rating: 36VAC/DC
  - <3.3>Quiescence Resistance:30mOhm Max(at working height)
- 4 Environmental performance
  - <4.1> RoHS compliant
  - <4.2>Operating Temperature range:-40°C~+85°C
  - <4.3>Withstanding High Temperature:260°C/10Sec
- 5 Packaging:Carrier tap.

Working Height	4.30mm	45±15gf
Durability	10000 Cycles Min.	

Item	Part Name	Q'TY	Material	Finish
5	Magnet	2pcs	NdFeB	Nickel plating
4	housing	1pcs	High temp.Plastic UL94 V-0 Color Black	-----
3	Body	4pcs	Leaded Brass	Gold plating over Nickel plating
2	Plunger	4pcs	Leaded Brass	Gold plating over Nickel plating
1	Spring	4pcs	Stainless steel wire	-----

Item	Revision record	Date
XD	Updated drawing	2020.09.12
XC	Updated drawing	2020.06.24
XB	Updated drawing	2019.06.24
XA	New Release	2019.05.08

Top-Link  
Electronics LTD.  
TOLERANCES UNLESS  
OTHER SPECIFIED  
0. = ± 0.25  
0.0 = ± 0.15  
0.00 = ± 0.10  
0.000 = ± 0.05  
Angle: ±1°  
SURF TEXTURE: Ra1.6  
REMOVE BURRS.  
BREAK SHARP  
EDGES R0.05 MAX.

Type	Customer drawing	Unit	mm
DRW:	Rimon.Ma	APRD:	
CHK:		REL:	
Name	Pogo Pin		
Scale	1:1	Size	A4
Part NO.	10101042762	Page	1/1
Rev:	XD		

**top-link**