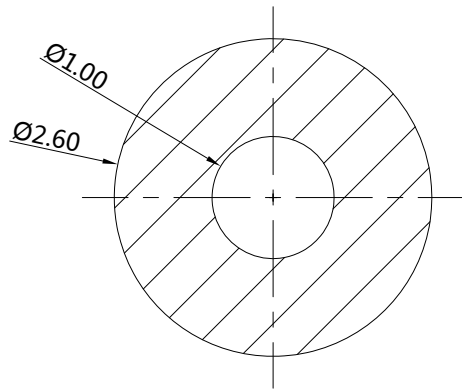
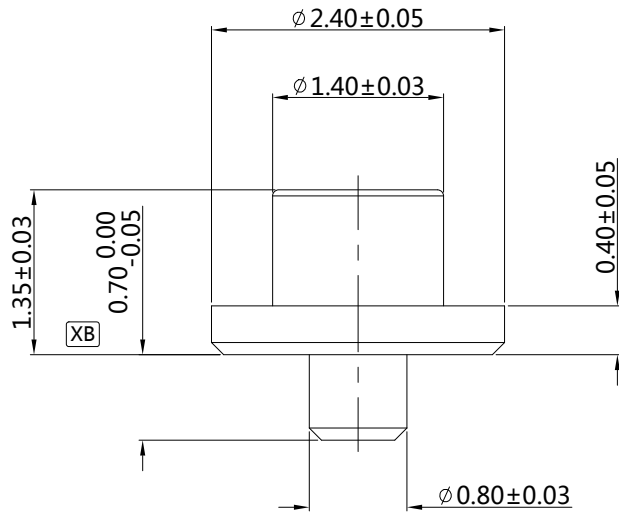


THIS INFORMATION IS CONFIDENTIAL AND IS DISCLOSED TO YOU ON CONDITION THAT NO FURTHER DISCLOSURE IS MADE BY YOU TO OTHER THAN TOP-LINK PERSONNEL WITHOUT WRITTEN AUTHORIZATION FROM TOP-LINK LTD.



RECOMMEND PCB LAYOUT(TOP VIEW)
Layout Tolerance: ± 0.05mm

Notes:

- 1 Dimensions shall be interpreted per ASME Y14.5M
- 2 Electrical performance
 - <2.1>Current rating: 500mA
 - <2.2>Voltage rating: 36VAC/DC
 - <2.3>Contact Resistance:50mOhm Max
- 3 Environmental performance
 - <3.1>RoHS2.0,Reach,CA65 compliant
 - <3.2>Salt Spray: 96H Min
Sweat test: 12H Min
 - <3.3>Operating Temperature range:-40°C~+85°C
 - <3.4>Withstanding High Temperature:260°C/10Sec
- 4 Packaging:Carrier tape

Item	Part Name	Q'TY	Material	Finish
1	Pin	1pcs	lead-free brass	Au 0.75um min plated over 1.25um min Copper alloy

Top-Link
Electronics LTD.
TOLERANCES UNLESS
OTHER SPECIFIED
0. = ± 0.25
0.0 = ±0.15
0.00 = ±0.10
0.000 = ±0.05
Angle: ±1°
SURF TEXTURE: Ra1.6
REMOVE BURRS.
BREAK SHARP
EDGES R0.05 MAX.

Type	Customer drawing		Unit	<i>top-link</i>	
DRW:	Caiwanlu		mm		
CHK:			REL:		
Name	Solid Pin Connector				
Scale	1:1	Size	A4	Part NO.	10101013358
				Page	1/1
				Rev:	XB

Item	Revision record	Date
XB	Change Dimensions	2020.06.19
XA	New Release	2020.05.29