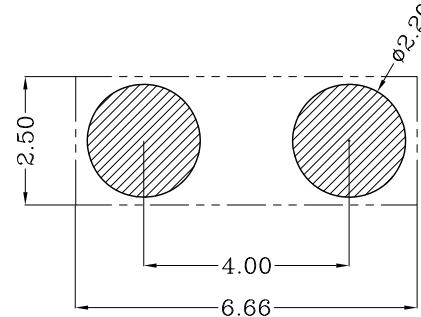
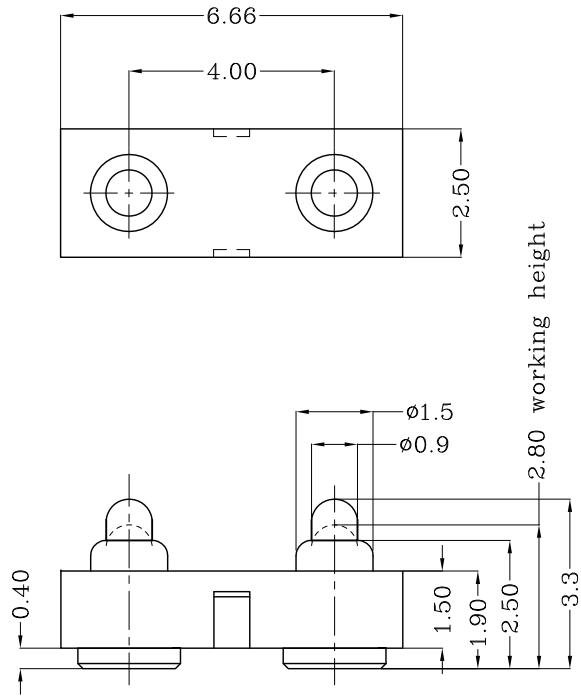


THIS INFORMATION IS CONFIDENTIAL AND IS DISCLOSED TO YOU ON CONDITION THAT NO FURTHER DISCLOSURE IS MADE BY YOU TO OTHER THAN TOP-LINK PERSONNEL WITHOUT WRITTEN AUTHORIZATION FROM TOP-LINK LTD.

DWG NO. C-110531



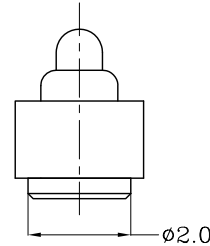
LDC	-
DIST	-



Recommended PCB Layout

Notes:

- 1 Material, Housing: PA 4.6 (30% Glass Filled)  
Color Black.  
Contact: Brass
- 2 Mechanical demands:  
Plating Plunger: Min 0.4um Au over 1.4um Ni  
Plating Body: Min 0.1um Au over 1.4um Ni.



USED ON -

110531-2  
PART NUMBER

DIMENSIONS IN MM  
TOLERANCES UNLESS  
OTHER SPECIFIED  
0 = ±-  
0.0 = ±0.15  
0.00 = ±0.10  
0.000 = ±-  
ANGLE: ±1°  
SURF TEXTURE: 3.2/  
REMOVE BURRS. BREAK  
SHARP EDGES R0.05 MAX  
DO NOT SCALE PRINT

LTR	new	APVD	09/06/16
REVISION RECORD			

MATL		HT TR	-	FIN	-
DWN		APVD		 Top-Link Electronics Ltd.	
CHK		REL			
NAME		POGO CONNECTOR 2 POSITIONS PGC-1.5-3.3-R-2P-4.0PH			
SCALE	1:1	A4	DWG NO.	C-110531	SHEET 1 OF 1
			REV	1	

4

3

2

1

D

C

B

A