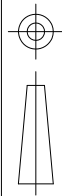
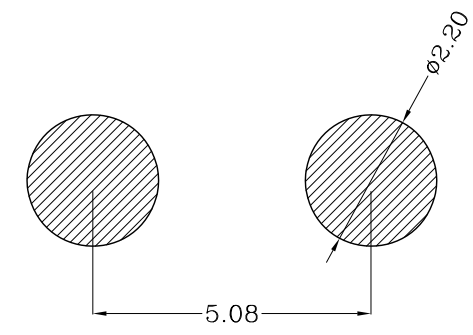
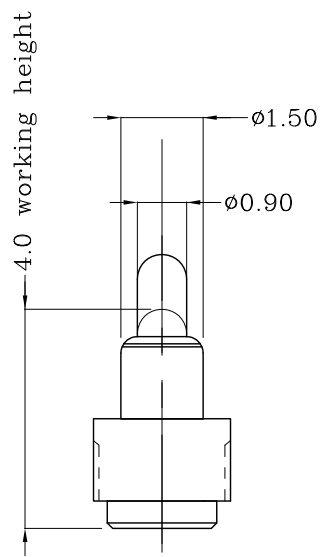
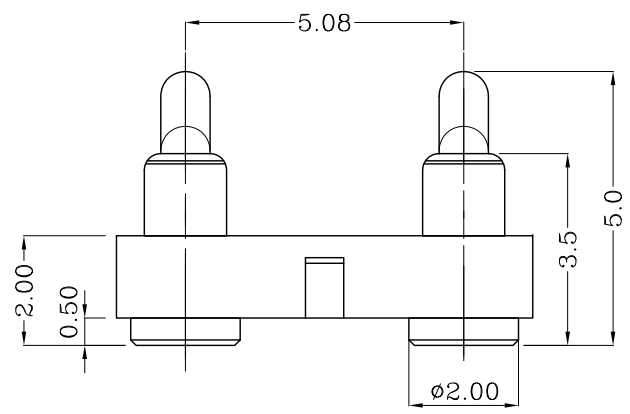
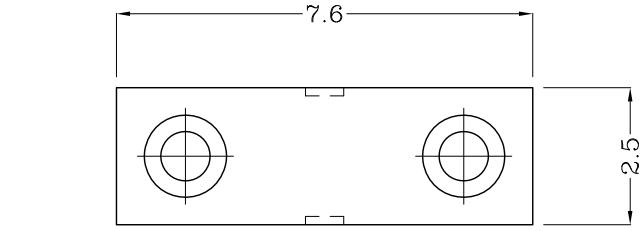


THIS INFORMATION IS CONFIDENTIAL AND IS DISCLOSED TO YOU ON CONDITION THAT NO FURTHER DISCLOSURE IS MADE BY YOU TO OTHER THAN TOP-LINK WITHOUT WRITTEN AUTHORIZATION FROM TOP-LINK ELECTRONICS FACTORY

DWG NO.
C-110495

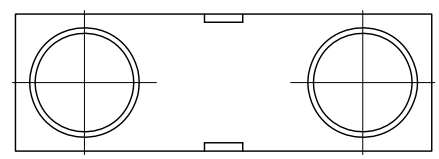


USED ON
-



Notes:
 1 Material, Housing: PA 4.6 (30% Glass Filled)
 Color Black. (UL94V-0)
 Contact: Brass
 2 Mechanical demands:
 Plating plunger: 0.4um Au over 1.4um Ni
 Plating body: 0.1um Au over 1.4um Ni .

Recommended PCB Layout
 Recommended solder paste thickness is 0.10 mm



LOC	-
DIST	-

	NEW		2008/08/19
LTR	REVISION RECORD	APVD	DATE

DIMENSIONS IN MM
 TOLERANCES UNLESS
 OTHER SPECIFIED
 0 = ±-
 0.0 = ±0.15
 0.00 = ±0.10
 0.000 = ±
 ANGLE: ±1°
 SURF TEXTURE: 3.2/
 REMOVE BURRS. BREAK
 SHARP EDGES R0.05 MAX
 DO NOT SCALE PRINT

MATL		HT TR -		FIN - ✓	
DWN	Qin	APVD Lansing		 Top-Link Electronics Ltd.	
CHK	Jim	REL			
NAME BATTERY CONNECTOR 2 POS. PGC-1.5-5.0-R-2P-5.08PH					
SCALE	A4	DWG NO.	C-110495	SHEET	REV
1:1				1 OF 1	A

110495-2
PART NUMBER