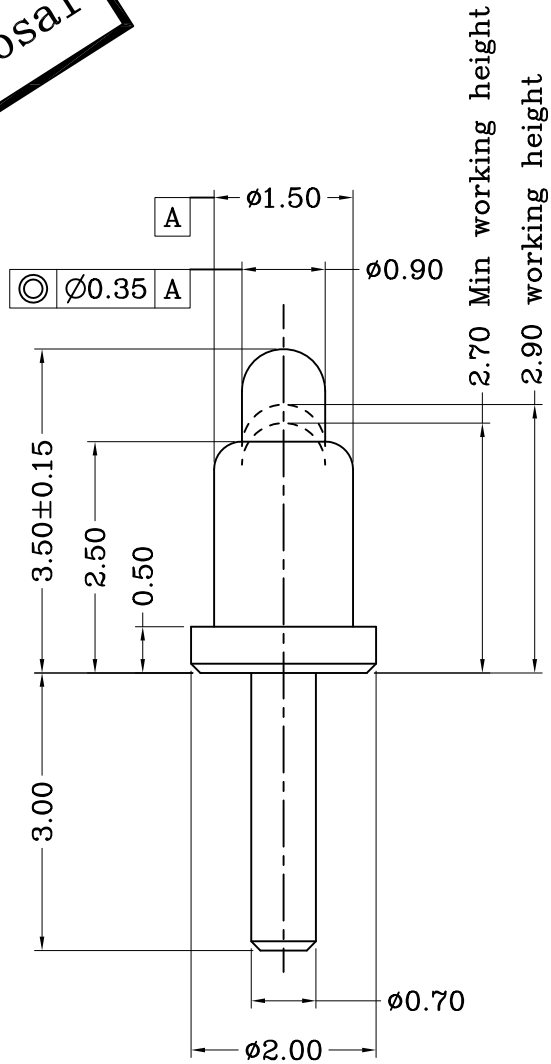


THIS INFORMATION IS CONFIDENTIAL AND IS DISCLOSED TO YOU ON CONDITION THAT NO FURTHER DISCLOSURE IS MADE BY YOU TO OTHER THAN TOP-LINK PERSONNEL WITHOUT WRITTEN AUTHORIZATION FROM TOP-LINK LTD.



DWN No.: C-101746

proposal



Item	Part name	Q'ty/Ea'	Material	Finish
1	Body	1	Leaded Brass	Au 0.1um plating Ni 1.4um
2	Plunger	1	Leaded Brass	Au 0.4um plating Ni 1.4um
3	Spring	1	Stainless steel wire	—————
4				
5				

Table 1 Mechanical performance		
working height	2.90mm	80±30gf
Durability	10000cycle	

Notes:

- Dimensions shall be interpreted per ASME Y14.5M.
- Mechanical performance(See the table 1)
 <2.1>The force is the average of forces obtained when plunger goes downwards and upwards.
 <2.2>Warning: Working height are not permitted to be less than Min working height.
- Electrical performance
 Resistance: 30mOhm Max.
 Current rating: 2.0A
- RoHS compliant.

DIST

DIST

1	NEW	2013/05/16
Rev.	Revision record.	Date.

Top-Link Electronics Ltd.		Type Customer drawing	Unit mm	Weight
TOLERANCES UNLESS OTHER SPECIFIED 0.0 = ± 0.15 0.00 = ± 0.10 0.000 = ± 0.05 Angle: ± SURF TEXTURE: REMOVE BURRS. BREAK SHARP EDGES R0.05 MAX.DO NOT SCALE PRINT.		DWN: Cai wanlu	APVD:	
		CHK:	REL:	
Name POGO PIN				
Scale 1:1	Size A4	DWG No. C-101746	Page 1/1	Rev. 1

101746-1
PART NUMBER