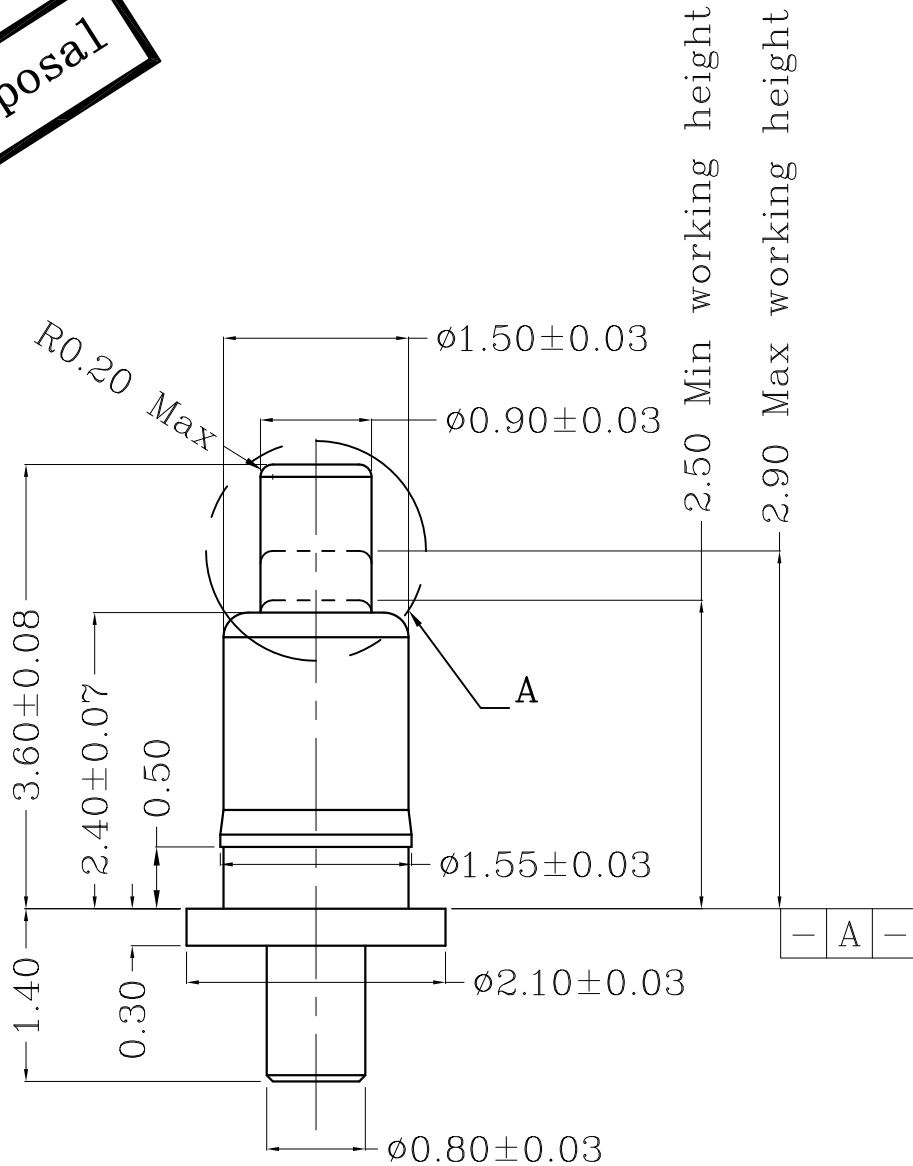


THIS INFORMATION IS CONFIDENTIAL AND IS DISCLOSED TO YOU ON CONDITION THAT NO FURTHER DISCLOSURE IS MADE BY YOU TO OTHER THAN TOP-LINK PERSONNEL WITHOUT WRITTEN AUTHORIZATION FROM TOP-LINK LTD.

DWN No.: C-101701



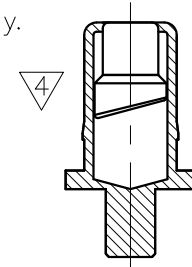
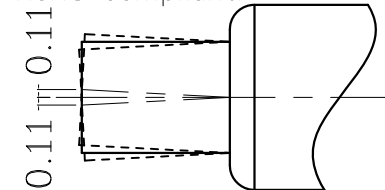
proposal



| Table 1 Mechanical performance | | |
|--------------------------------|------------|---------------|
| Max working height | 2.90mm | 40gf min<2.1> |
| Min working height | 2.50mm | 80fg max |
| Durability | 20000cycle | |

Notes:

- 1 Dimensions shall be interpreted per ASME Y14.5M.
- 2 Mechanical performance(See the table 1)
<2.1>The force is the average of forces obtained when plunger goes downwards and upwards.
<2.2>Warning: Working height are not permitted to be less than Min working height.
- 3 Electrical performance
Resistance: 30mOhm Max.
Current rating: 4.0A
T-RISE: 30°C MAX
- 4 Plunger shall return if push fully.
- 5 Durability 20,000 cycle
- 6 RoHS compliant.



101701-1

PART NUMBER

| | | | | |
|---|--|-----------------------|---------|------------------|
| Top-Link Electronics Ltd. | | Type Customer drawing | Unit mm | Weight |
| TOLERANCES UNLESS OTHER SPECIFIED | | DWN: JERRY | APVD: | |
| 0.0 = ± 0.15 | | CHK: | REL: | |
| 0.00 = ± 0.10 | | Name POGO PIN | | |
| 0.000 = ± 0.05 | | Scale 1:1 | Size A4 | DWG No. C-101701 |
| Angle: ± | | Page 1/1 | | Rev. 4 |
| SURF TEXTURE: REMOVE BURRS. | | | | |
| BREAK SHARP EDGES R0.05 MAX.DO NOT SCALE PRINT. | | | | |

| | | |
|------|------------------|------------|
| Rev. | Revision record. | Date. |
| | | 2013/03/27 |
| | Update | 2013/01/24 |
| | NEW | 2013/01/11 |

DIST

DIST
