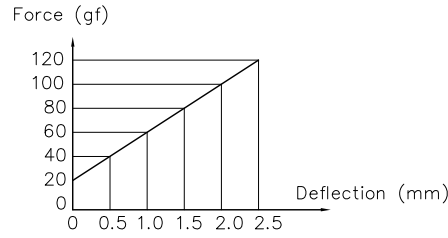
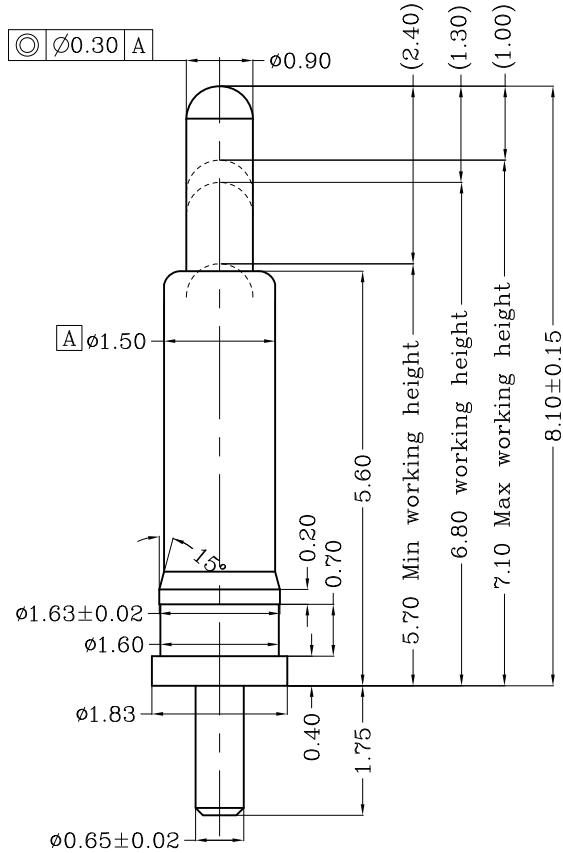


THIS INFORMATION IS CONFIDENTIAL AND IS DISCLOSED TO YOU ON CONDITION THAT NO FURTHER DISCLOSURE IS MADE BY YOU TO OTHER THAN TOP-LINK PERSONNEL WITHOUT WRITTEN AUTHORIZATION FROM TOP-LINK LTD.

DWN No.: C-101618

proposal



Spring rate(C=40gf/mm)

Item	Part name	Q'ty/Ea'	Material	Finish
1	Body	1	Leaded Brass	Au 0.1um plating Ni 1.4um
2	Plunger	1	Leaded Brass	Au 0.4um plating Ni 1.4um
3	Spring	1	Stainless steel wire	—————
4				
5				

Table 1 Mechanical performance		
Max working height	7.10mm	60±18gf <2.1>
working height	6.80mm	72±21gf <2.1>
Min working height	5.70mm	116±35fg
Durability		10000cycle

Notes:

- 1 Demensions shall be interpreted per ASME Y14.5M.
- 2 Mechanical performance(See the table 1)  
<2.1>The force is the average of forces obtained when plunger goes downwards and upwards.  
<2.2>Warning: Working height are not permitted to be less than Min working height.
- 3 Electrical performance  
Resistance: 30mOhm Max.Current rating: 2.0A Max
- 4 RoHS compliant.

DIST  
---  
DIST  
---

Rev.	Revision record.	Date.
4		
3		
2		
1		

Top-Link Electronics Ltd.		Type Customer drawing	Unit mm	Weight
TOLERANCES UNLESS OTHER SPECIFIED 0. = ± 0.0 = ± 0.15 0.00 = ± 0.10 0.000 = ± Angle: ± SURF TEXTURE: REMOVE BURRS. BREAK SHARP EDGES R0.05 MAX.DO NOT SCALE PRINT.		DWN: Qin zuozhong	APVD:	 Top-Link Electronics Ltd.
		CHK:	REL:	
Name POGO PIN				
Scale 1:1	Size A4	DWG No. C-101618	Page 1/1	Rev. A

101618-1  
PART NUMBER