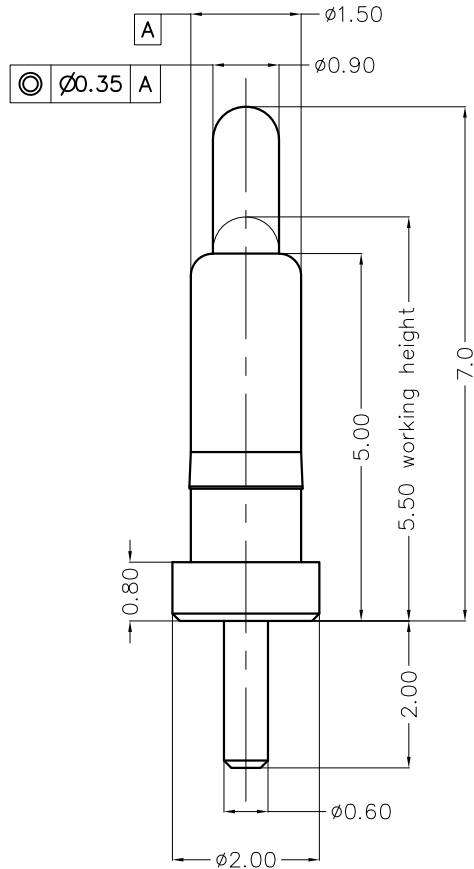


DWN No.: C-101568



THIS INFORMATION IS CONFIDENTIAL AND IS DISCLOSED TO YOU ON CONDITION THAT NO FURTHER DISCLOSURE IS MADE BY YOU TO OTHER THAN TOP-LINK PERSONNEL WITHOUT WRITTEN AUTHORIZATION FROM TOP-LINK LTD.



Item	Part name	Q'ty/Ea'	Material	Finish
1	Body	1	Leaded Brass	Au plating over Ni
2	Plunger	1	Leaded Brass	Au plating over Ni
3	Spring	1	Stainless steel wire	—————
4				
5				

Table 1 Mechanical performance		
working height	5.50mm	80±35gf <2.1>
Durability	10000cycle	

Notes:

- 1 Dimensions shall be interpreted per ASME Y14.5M.
- 2 Mechanical performance(See the table 1)
<2.1>The force is the average of forces obtained when plunger goes downwards and upwards.
<2.2>Total stroke : 1.9mm.
- 3 Electrical performance
Resistance: 30mOhm Max.Current rating: 2.0A
- 4 RoHS compliant.

101568-1

PART NUMBER

Top-Link Electronics Ltd.		Type Customer drawing	Unit mm	Weight
TOLERANCES UNLESS OTHER SPECIFIED 0. = ± 0.0 = ±0.15 0.00 = ±0.10 0.000 = ±		DWN: Qin zuozhong	APVD:	
Angle: ± SURF TEXTURE: REMOVE BURRS. BREAK SHARP EDGES R0.05 MAX.DO NOT SCALE PRINT.		CHK:	REL:	
Name POGO PIN				
Scale 1:1	Size A4	DWG No. C-101568	Page 1/1	Rev. 1

Rev.	Revision record.	Date.
	NEW	2011/12/12

DIST

DIST