

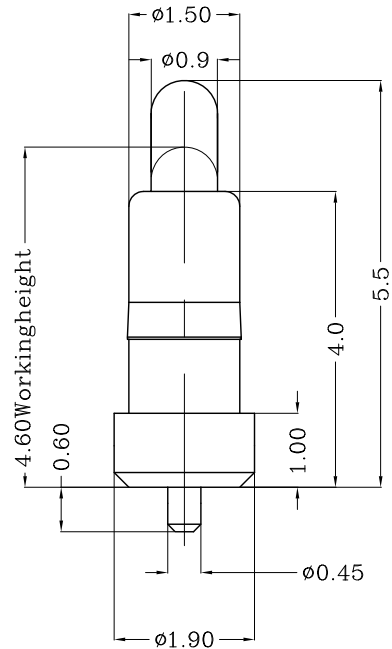
THIS INFORMATION IS CONFIDENTIAL AND IS DISCLOSED TO YOU ON CONDITION THAT NO FURTHER DISCLOSURE IS MADE BY YOU TO OTHER THAN TOP-LINK PERSONNEL WITHOUT WRITTEN AUTHORIZATION FROM TOP-LINK LTD.

DWG NO.



C-101276

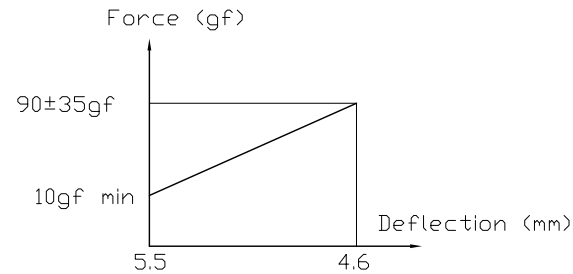
USED ON
-



Notes:

Material:

- 1)Plunger & Body : CuZn36 Pb3, H02 (C36000)
or CuZn39 PB3 or CuZn38 PB2 or CuZn36(C2700).
- 2)Spring : Stainless steel wire
- 2 Plating
 - 1)Body: 0.1um Gold plating over min. 1.4um Nickle plating
 - 2)Plunger: 0.4um Gold plating over min. 1.4um Nickle plating
- 3 Mechanical
 - 1)Total stroke : 1.0mm
 - 2)Durability: 10,000 cycle min.
- 4 Electrical
 - 1)Contact resistance: 30mOhm Max.
 - 2)Operating voltage: 36VDC



101276-1

PART NUMBER

| | | | | | | | |
|---|---------|---------------------------------|-----|-------|---------|---|--------------|
| DIMENSIONS IN MM TOLERANCES UNLESS OTHER SPECIFIED | | MATL | △ 1 | HT TR | - | FIN | - ✓ |
| 0 | = ±- | DWN | Qin | APVD | Lansing | top-Link Top-Link Electronics Ltd. | |
| 0.0 | = ±0.15 | CHK | Jim | REL | | Electronics | |
| 0.00 | = ±0.10 | NAME | | | | | |
| 0.000 | = ±- | POGO PIN | | | | | |
| ANGLE: ±1° | | PG-0.45-0.6-1.9-1.0-1.5-4.0-5.5 | | | | | |
| SURF TEXTURE: 3.2/▽ | | SCALE | 1:1 | A4 | DWG NO. | C-101276 | SHEET 1 OF 1 |
| REMOVE BURRS. BREAK SHARP EDGES R0.05 MAX DO NOT SCALE PRINT | | | | | | | REV 1 |

| | |
|------|---|
| LDC | - |
| DIST | - |

| | | | |
|-----------------|-----|------|------------|
| LTR | new | APVD | 2009/10/08 |
| REVISION RECORD | | DATE | |