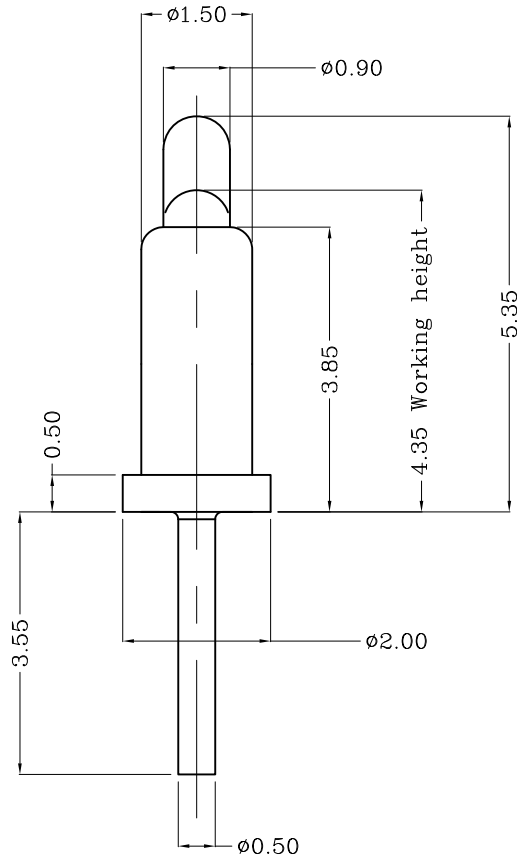


THIS INFORMATION IS CONFIDENTIAL AND IS DISCLOSED TO YOU ON CONDITION THAT NO FURTHER DISCLOSURE IS MADE BY YOU TO OTHER THAN TOP-LINK PERSONNEL WITHOUT WRITTEN AUTHORIZATION FROM TOP-LINK LTD.

DWG NO. C-101168



USED ON
—



- Notes:
- △ Material(材质):
 - 1)Body :Brass
 - 2)Plunge :Brass
 - 3)Spring :Stainless steel wire
 - 2 Plating(电镀):
 - 1)Body: Min 0.1um Gold plating over min. 1.4um Nickel plating
(Body: 镀金0.1um Min 镍底1.4um Min)
 - 2)Plunger: Min 0.4um Gold plating over min. 1.4um Nickel plating
(Plunger: 镀金0.4um Min 镍底1.4um Min)
 - 3 Mechanical(机械性能):
 - 1)Force: 120 ± 30 gf per pin at 1.0mm stroke
(力:下压1.0mm的力: 120 ± 30 gf)
 - 2)Total stroke(总行程) : 1.35mm
 - 3)Durability(寿命): 10,000 cycle min.
 - 4 Electrical(电性能)
 - 1)Contact resistance(接触阻抗): 30mOhm Max.
 - 2)Voltage rating(额定电压): 36V DC Max
 - 3)Current rating(额定电流): 2.0A

LOC	-
DIST	-

	NEW		2010/11/29
LTR	REVISION RECORD	APVD	DATE

DIMENSIONS IN MM
TOLERANCES UNLESS
OTHER SPECIFIED
0 = ±-
0.0 = ±0.15
0.00 = ±0.10
0.000 = ±
ANGLE: ±1°
SURF TEXTURE: 3.2/
REMOVE BURRS. BREAK
SHARP EDGES R0.05 MAX
DO NOT SCALE PRINT

MATL		HT TR —	FIN —
DWN	APVD	Top-Link Electronics Ltd.	
CHK	REL		
NAME POGO PIN PG-0.5-3.55-2.0-0.5-1.5-3.85-5.35			
SCALE 1:1	A4	DWG NO. C-101168	SHEET 1 OF 1
			REV C

101168-1
PART NUMBER

4

3

2

1

D

C

B

A