

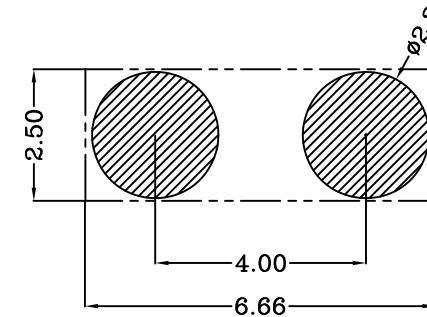
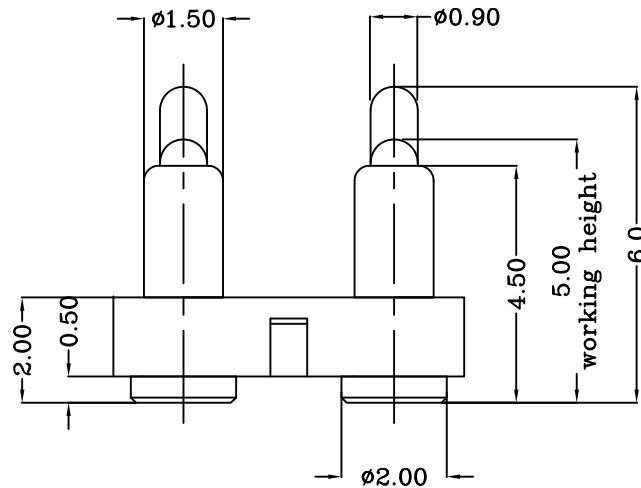
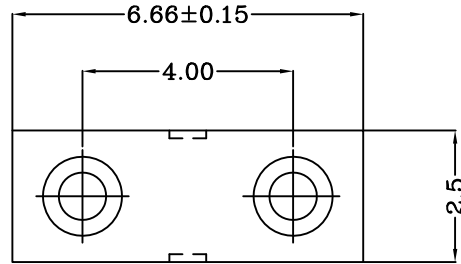
THIS INFORMATION IS CONFIDENTIAL AND IS DISCLOSED TO YOU ON CONDITION THAT NO FURTHER DISCLOSURE IS MADE BY YOU TO OTHER THAN TOP-LINK PERSONNEL WITHOUT WRITTEN AUTHORIZATION FROM TOP-LINK LTD.

DWG NO.

C-100575



USED ON
—



Recommended PCB Layout

Notes:

- △ Material(材质):
 - 1)Body :Brass
 - 2)Plunge :Brass
 - 3)Spring :Stainless steel wire
- 2 Plating(电镀):
 - 1)Body: Min 0.1um Gold plating over min. 1.4um Nickel plating (Body: 镀金0.1um Min 镍底1.4um Min)
 - 2)Plunger: Min 0.4um Gold plating over min. 1.4um Nickel plating (Plunger: 镀金0.4um Min 镍底1.4um Min)
- 3 Mechanical(机械性能):
 - 1)Force: 90gf Min per pin at 1.0mm stroke (力: 下压1.0mm的力: 90gf Min)
 - 2)Total stroke(总行程) : 1.50mm
 - 3)Durability(寿命): 10,000 cycle min.
- 4 Electrical(电性能)
 - 1)Contact resistance(接触抵抗): 30mOhm Max.
 - 2)Voltage rating(额定电压): 36V DC Max
 - 3)Current rating(额定电流): 2.0A

LDC	-
DIST	-

	NEW		2008/06/24
LTR	REVISION RECORD	APVD	DATE

DIMENSIONS IN MM
TOLERANCES UNLESS
OTHER SPECIFIED
0 = ±-
0.0 = ±0.15
0.00 = ±0.10
0.000 = ±
ANGLE: ±1°
SURF TEXTURE: 3.2/
REMOVE BURRS. BREAK
SHARP EDGES R0.05 MAX
DO NOT SCALE PRINT

MATL		△	HT TR		—	FIN		—	✓
DWN	Qin	APVD		REL				Top-Link Electronics Ltd.	
CHK									
NAME POGO CONNECTOR 2 POSITIONS PGC-1.5-6.0-R-2P-4.0PH									
SCALE	1:1	A4	DWG NO.	C-100575	SHEET	1 OF 1	REV	1	

100575-2
PART NUMBER

4

3

2

1

D

C

B

A