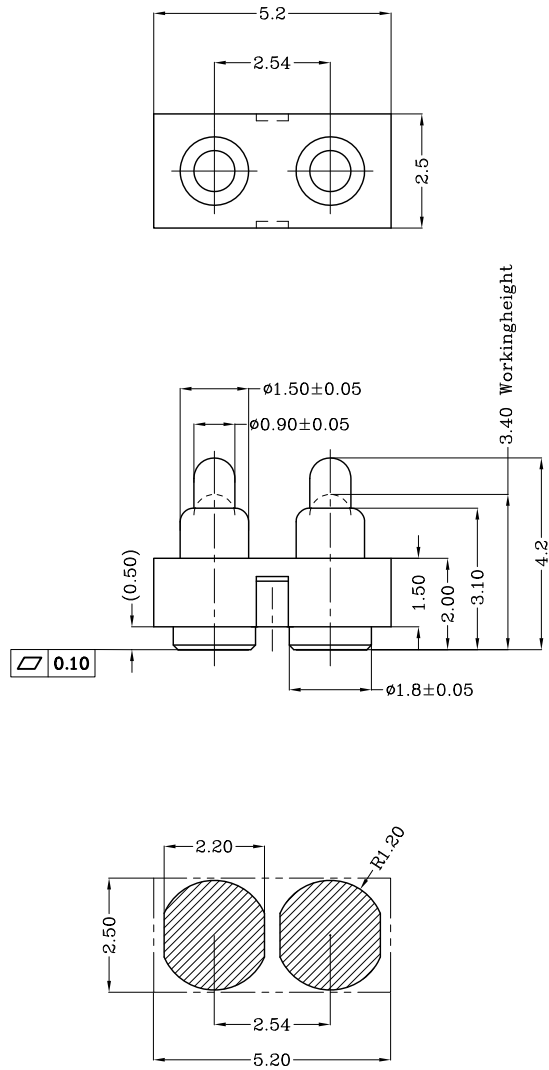
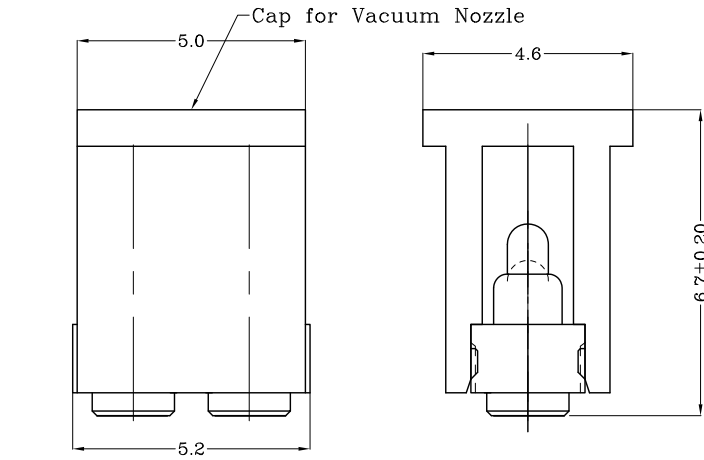


THIS INFORMATION IS CONFIDENTIAL AND IS DISCLOSED TO YOU ON CONDITION THAT NO FURTHER DISCLOSURE IS MADE BY YOU TO OTHER THAN TOP-LINK PERSONNEL WITHOUT WRITTEN AUTHORIZATION FROM TOP-LINK LTD.

DWG NO. C-100564



Recommended PCB Layout



- Notes:
- Material(材质):  
Housing: PA 4.6 (30% Glass Filled)Color Black.  
Contact: Brass  
Spring:Stainless steel wire
  - Plating:  
Body: Min 0.1um Gold plating over min. 1.4um Nickel plating  
(Body: 镀金0.1um Min 镍底1.4um Min)  
Plunger: Min 0.4um Gold plating over min. 1.4um Nickel plating  
(Plunger: 镀金0.4um Min 镍底1.4um Min)
  - Mechanical:  
Force:110±25gf per pin at 0.8mm stroke  
(力:下压0.8mm的力:110±25gf )  
Total stroke(总行程): 1.10mm  
Durability(寿命): 10,000 cycle min.
  - Electrical(电性能)  
Contact resistance(接触抵抗): 30mOhm Max.  
Voltage rating(额定电压): 36V DC Max  
Current rating(额定电流): 2.0A

USED ON \_\_\_\_\_

|      |   |
|------|---|
| LDC  | - |
| DIST | - |

|     |                 |      |            |
|-----|-----------------|------|------------|
|     | NEW             |      | 2009/11/11 |
| LTR | REVISION RECORD | APVD | DATE       |

|  |         |       |     |         |                                    |       |        |     |   |
|--|---------|-------|-----|---------|------------------------------------|-------|--------|-----|---|
| DIMENSIONS IN MM<br>TOLERANCES UNLESS<br>OTHER SPECIFIED     |         | MATL  | △   | HT TR   | —                                  | FIN   | —      | ✓   |   |
| 0  | = ±-    | DWN   | Qin | APVD    |                                    |       |        |     |   |
| 0.0  | = ±0.15 | CHK   | REL |         |                                    |       |        |     |   |
| 0.00   | = ±0.10 | NAME  |     |         | BATTERY POGO CONNECTOR 2 POSITIONS |       |        |     |   |
| 0.000  | = ±     |       |     |         | PGC-1.5-4.2-R-2P-2.54PH            |       |        |     |   |
| ANGLE: ±1°   |         | SCALE | A4  | DWG NO. | C-100564                           | SHEET | 1 OF 1 | REV | 1 |
| SURF TEXTURE: 3.2/▽  |         | 1:1   |     |         |                                    |       |        |     |   |
| REMOVE BURRS. BREAK SHARP EDGES R0.05 MAX DO NOT SCALE PRINT |         |       |     |         |                                    |       |        |     |   |

4

3

2

1

D

C

B

A

100564-2  
PART NUMBER