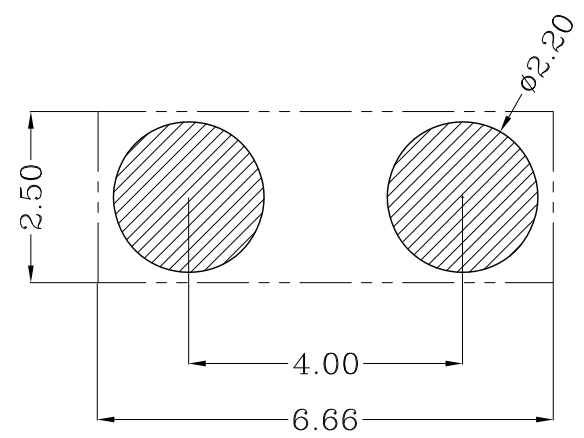
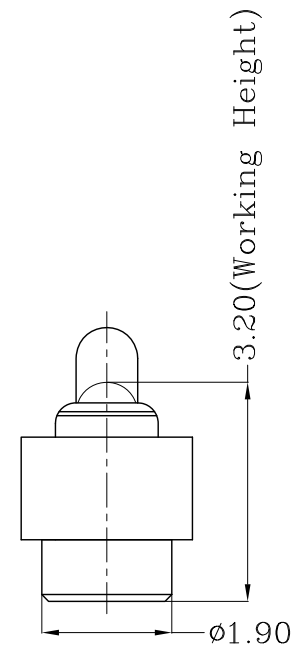
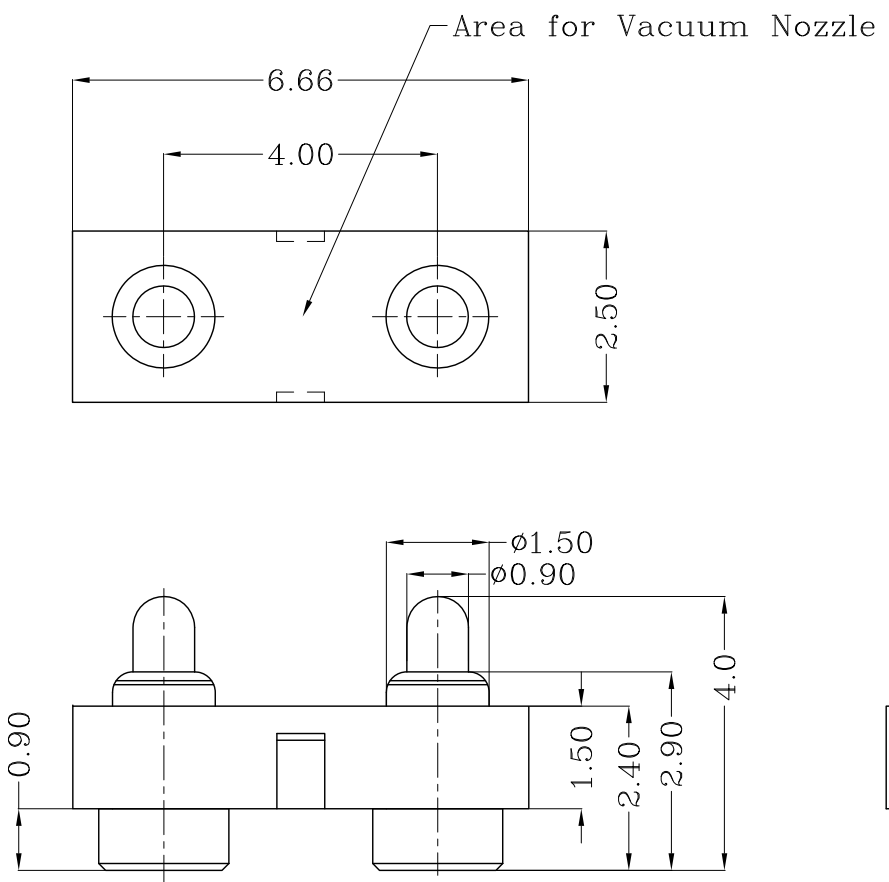


THIS INFORMATION IS CONFIDENTIAL AND IS DISCLOSED TO YOU ON CONDITION THAT NO FURTHER DISCLOSURE IS MADE BY YOU TO OTHER THAN TOP-LINK PERSONNEL WITHOUT WRITTEN AUTHORIZATION FROM TOP-LINK LTD.

DWG NO. C-100560



USED ON -



Recommended PCB Layout

- Notes:
- Material, Housing: PA 4.6 (30% Glass Filled)
Color Black.
Contact: Brass
 - Mechanical demands:
Plating Plunger: Min 0.4um Au over 1.4um Ni
Plating Body: Min 0.1um Au over 1.4um Ni.

100560-2
PART NUMBER

DIMENSIONS IN MM TOLERANCES UNLESS OTHER SPECIFIED 0 = ± 0.0 = ±0.15 0.00 = ±0.10 0.000 = ± ANGLE: ±1° SURF TEXTURE: 3.2/ REMOVE BURRS. BREAK SHARP EDGES R0.05 MAX DO NOT SCALE PRINT	MATL		HT TR	-	FIN	-		
	DWN	Qin	APVD					
	CHK		REL		Top-Link Electronics Ltd.			
	NAME	POGO CONNECTOR 2 POSITIONS PGC-1.5-4.0-R-2P-4.0PH						
SCALE	1:1	A4	DWG NO.	C-100560	SHEET	1 OF 1	REV	A

LOC	-
DIST	-