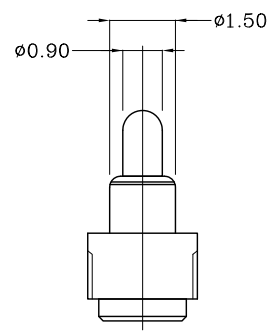
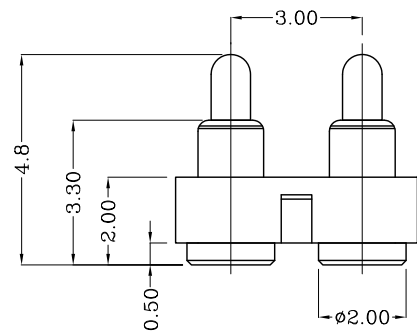
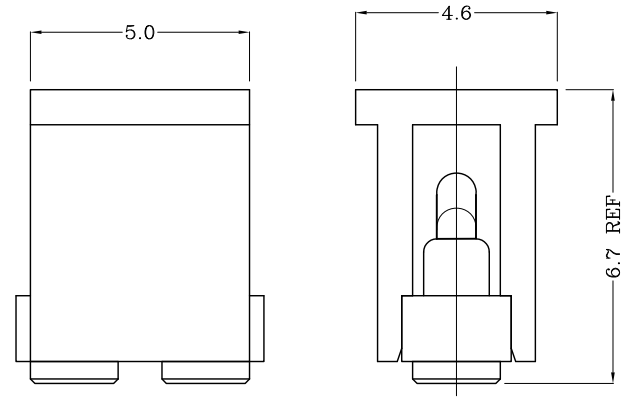
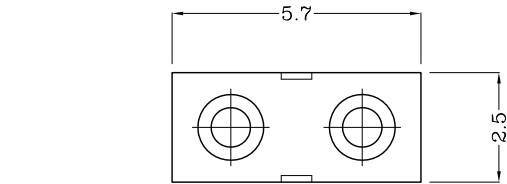


THIS INFORMATION IS CONFIDENTIAL AND IS DISCLOSED TO YOU ON CONDITION THAT NO FURTHER DISCLOSURE IS MADE BY YOU TO OTHER THAN TOP-LINK WITHOUT WRITTEN AUTHORIZATION FROM TOP-LINK ELECTRONICS FACTORY

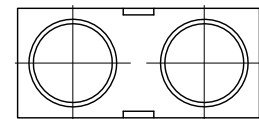
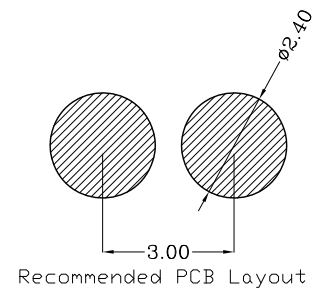
DWG NO.
C-100547



USED ON
-



Notes:
 1 Material, Housing: PA 4.6 (30% Glass Filled)
 Color Black. (UL94V-0)
 Contact: Brass
 2 Mechanical demands:
 Plating plunger: 0.40um Au over 1.4um Ni
 Plating body: 0.1um Au over 1.4um Ni .



LOC	-
DIST	-

LTR	NEW	APVD	DATE
	REVISION RECORD		20090904

DIMENSIONS IN MM
 TOLERANCES UNLESS
 OTHER SPECIFIED
 0 = ±-
 0.0 = ±0.15
 0.00 = ±0.10
 0.000 = ±
 ANGLE: ±1°
 SURF TEXTURE: 3.2/
 REMOVE BURRS. BREAK
 SHARP EDGES R0.05 MAX
 DO NOT SCALE PRINT

MATL	HT TR	FIN
DWN	APVD	✓
CHK	REL	
NAME BATTERY CONNECTOR 2 POS. PGC-1.5-4.8-R-2P-3.0PH		
SCALE	A4	DWG NO.
1:1		C-100547
SHEET	REV	
1 OF 1	A	

100547-2
PART NUMBER