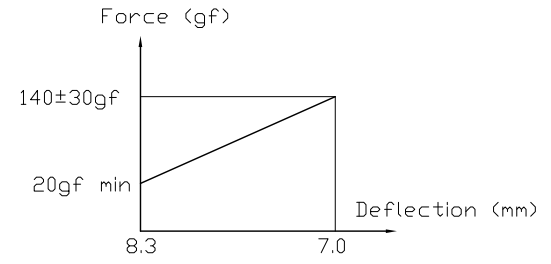
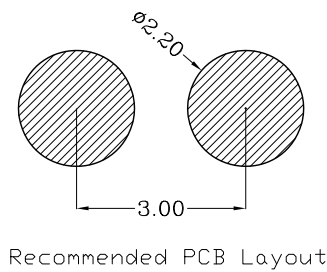
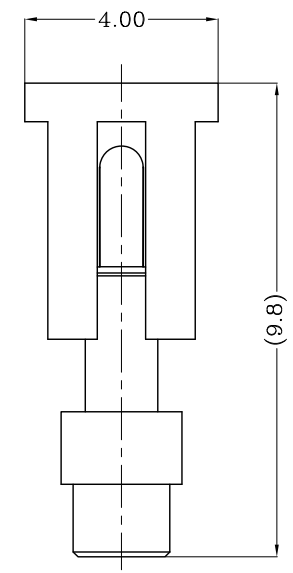
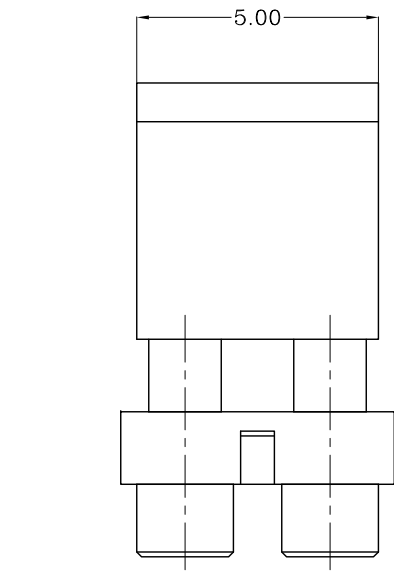
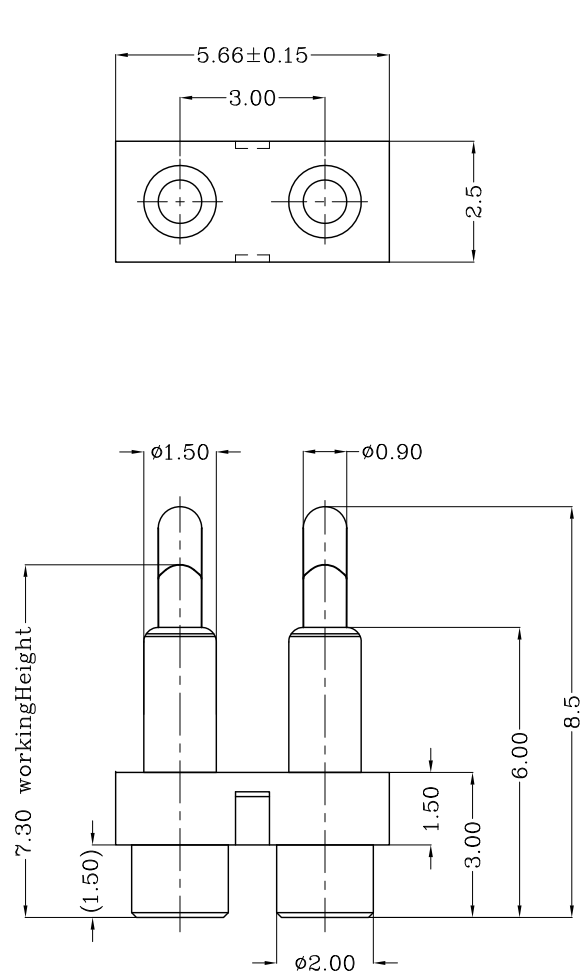


THIS INFORMATION IS CONFIDENTIAL AND IS DISCLOSED TO YOU ON CONDITION THAT NO FURTHER DISCLOSURE IS MADE BY YOU TO OTHER THAN TOP-LINK PERSONNEL WITHOUT WRITTEN AUTHORIZATION FROM TOP-LINK LTD.

DWG NO.
C-100511



USED ON
-



Notes:
 1 Material, Housing: PA 4.6 (30% Glass Filled)
 Color Black.
 Contact: Brass
 2 Mechanical demands:
 Plating Plunger: 0.4um Au over 1.4um Ni
 Plating Body: 0.1um Au over 1.4um Ni.

DIMENSIONS IN MM
 TOLERANCES UNLESS
 OTHER SPECIFIED
 0 = ±-
 0.0 = ±0.15
 0.00 = ±0.10
 0.000 = ±
 ANGLE: ±1°
 SURF TEXTURE: 3.2/
 REMOVE BURRS. BREAK
 SHARP EDGES R0.05 MAX
 DO NOT SCALE PRINT

MATL		HT TR	-	FIN	-
DWN	Qin	APVD		 Top-Link Electronics Ltd.	
CHK		REL			
NAME POGO CONNECTOR 2 POSITIONS PGC-1.5-8.5-R-2P-3.0PH					
SCALE	1:1	A4	DWG NO.	C-100511	SHEET 1 OF 1
					REV B

LOC	-
DIST	-

	Renovate		2010/05/27
	NEW		2009/04/23
LTR	REVISION RECORD	APVD	DATE

100511-2
PART NUMBER