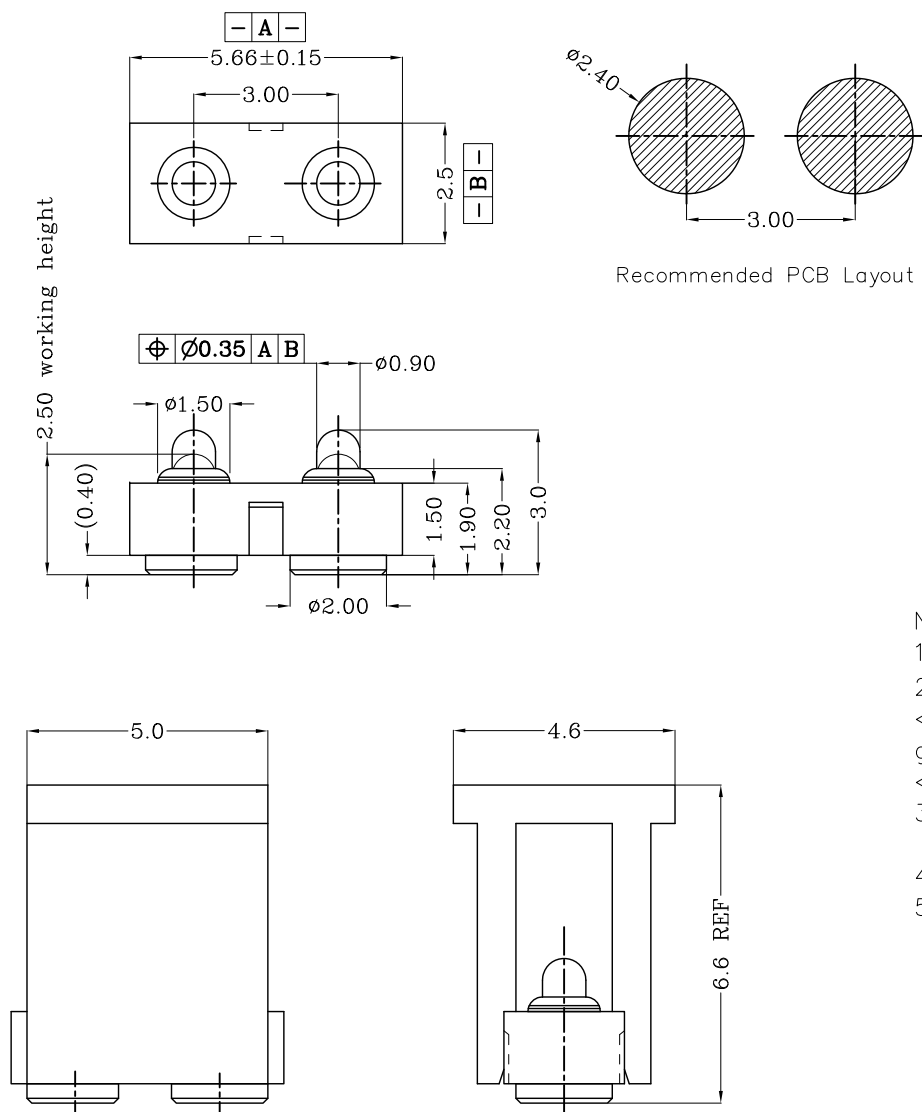


THIS INFORMATION IS CONFIDENTIAL AND IS DISCLOSED TO YOU ON CONDITION THAT NO FURTHER DISCLOSURE IS MADE BY YOU TO OTHER THAN TOP-LINK PERSONNEL WITHOUT WRITTEN AUTHORIZATION FROM TOP-LINK LTD.



DWN No.:

C-100469



Recommended PCB Layout

Item	Part name	Q'ty/Ea'	Material	Finish
1	HSG	1	High temp.Plastic UL94 V-0 Color Black	_____
2	Body	2	Leaded Brass	Au 0.1um plating Ni 1.4um
3	Plunger	2	Leaded Brass	Au 0.4um plating Ni 1.4um
4	Spring	2	Stainless steel wire	_____
5	CAP	1	High temp.Plastic UL94 V-0 Color Black	_____

Table 1 Mechanical performance		
working height	2.50mm	90gf min <2.1>
Durability	10000cycle	

- Notes:
- 1 Dimensions shall be interpreted per ASME Y14.5M.
 - 2 Mechanical performance(See the table 1)
<2.1>The force is the average of forces obtained when plunger goes downwards and upwards.
<2.2>Total stroke:0.7mm
 - 3 Electrical performance
Resistance:30mOhm Max.Current rating: 2.0A
 - 4 Packaging Spec.Comformance to EIA 481
 - 5 RoHS compliant.

DIST

DIST

Rev.	Revision record.	Date.
4		
3		
NEW		2011/07/25

Top-Link Electronics Ltd.		Type Customer drawing	Unit mm	Weight
TOLERANCES UNLESS OTHER SPECIFIED 0. = ± 0.0 = ±0.15 0.00 = ±0.10 0.000 = ±		DWN: Qin Zuozhong	APVD:	 Top-Link Electronics Ltd.
Angle: ± SURF TEXTURE: REMOVE BURRS. BREAK SHARP EDGES R0.05 MAX.DO NOT SCALE PRINT.		CHK:	REL:	
Name Customer drawing				
Scale 1:1	Size A4	DWG No. C-100469	Page 1/2	Rev. A

100469-2
PART NUMBER