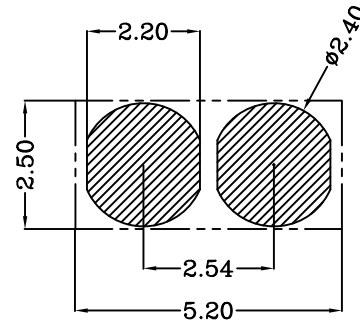
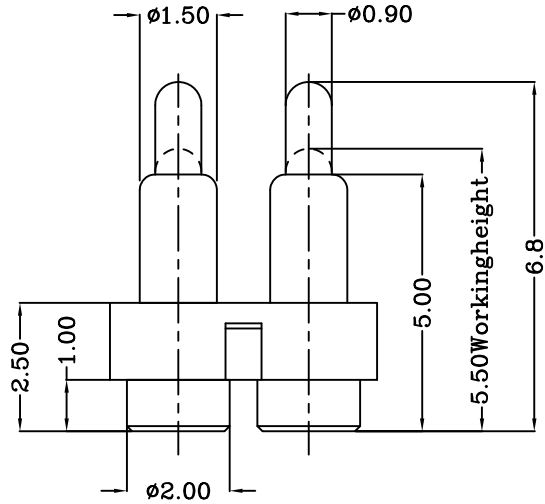
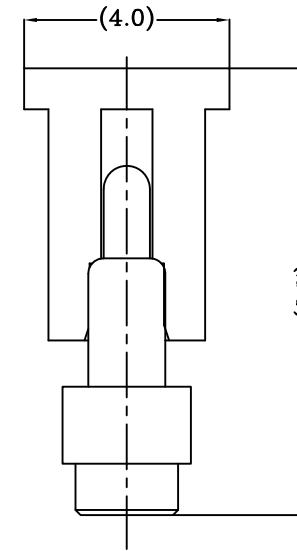
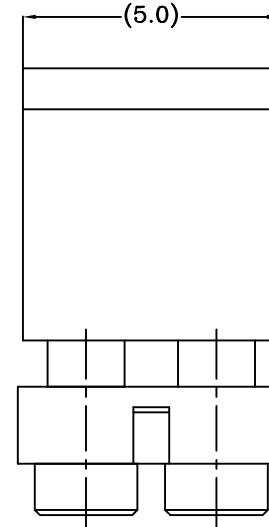
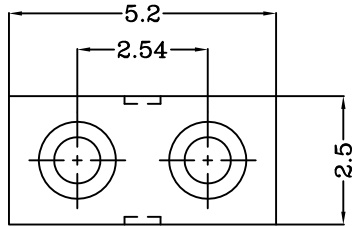


THIS INFORMATION IS CONFIDENTIAL AND IS DISCLOSED TO YOU ON CONDITION THAT NO FURTHER DISCLOSURE IS MADE BY YOU TO OTHER THAN TOP-LINK PERSONNEL WITHOUT WRITTEN AUTHORIZATION FROM TOP-LINK LTD.

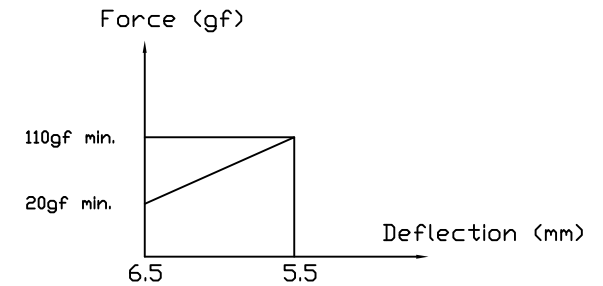
DWG NO.
C-100457



USED ON
-



Recommended PCB Layout



Notes:

- Material, Housing: PA 4.6 (30% Glass Filled)
Color Black.
Contact: Brass
- Mechanical demands:
Plating Plunger: Min 0.4um Au over 1.4um Ni
Plating Body: Min 0.1um Au over 1.4um .
contact resistance: 30mOhm max.
durability : 10000cycles min.

100457-2
PART NUMBER

DIMENSIONS IN MM
TOLERANCES UNLESS
OTHER SPECIFIED
0 = ±-
0.0 = ±0.15
0.00 = ±0.10
0.000 = ±
ANGLE: ±1°
SURF TEXTURE: 3.2/
REMOVE BURRS. BREAK
SHARP EDGES R0.05 MAX
DO NOT SCALE PRINT

MATL		HT TR	-	FIN	- ✓
DWN	Jim	APVD	LANSING	Top-Link Electronics Ltd.	
CHK	ANDY	REL			
NAME BATTERY POGO CONNECTOR 2 POSITIONS PGC-1.5-6.8-R-2P-2.54PH					
SCALE	1:1	A4	DWG NO.	C-100457	SHEET 1 OF 1
					REV A

LDC	-
DIST	-

4

3

2

1

D

C

B

A