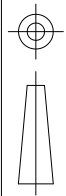
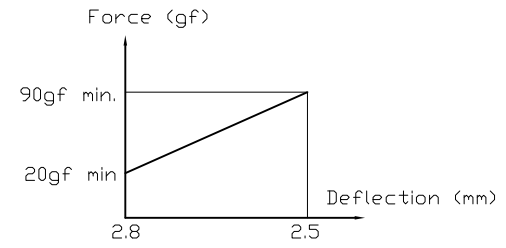
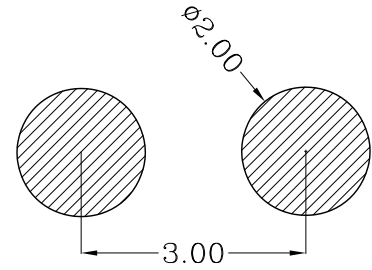
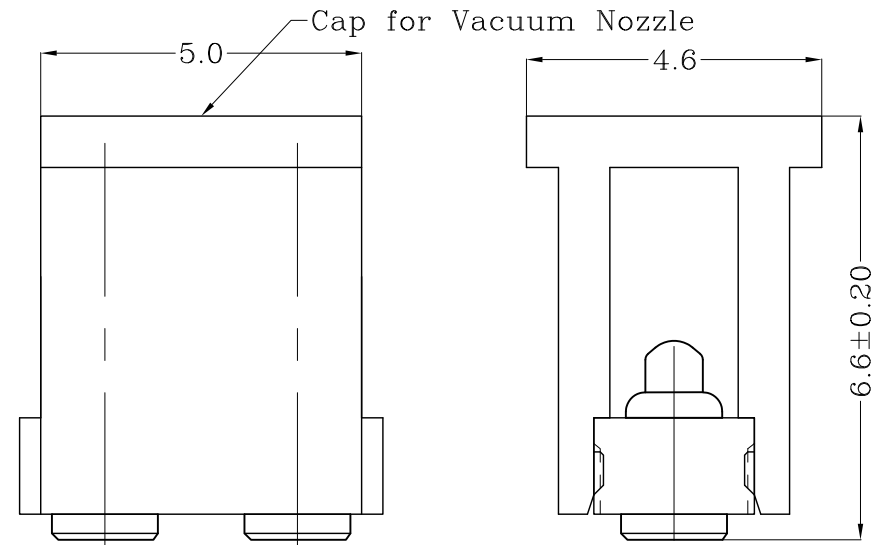
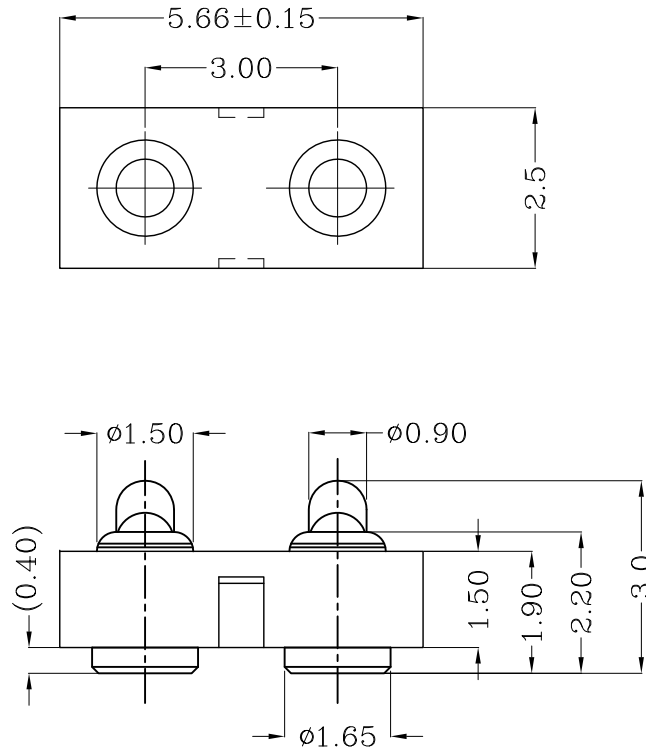


THIS INFORMATION IS CONFIDENTIAL AND IS DISCLOSED TO YOU ON CONDITION THAT NO FURTHER DISCLOSURE IS MADE BY YOU TO OTHER THAN TOP-LINK PERSONNEL WITHOUT WRITTEN AUTHORIZATION FROM TOP-LINK LTD.

DWG NO. C-100448



USED ON -



Recommended PCB Layout

- Notes:
- Material, Housing: PA 4.6 (30% Glass Filled)
Color Black.
Contact: Brass
 - Mechanical demands:
Plating Plunger: Min 0.4um Au over 1.4um Ni
Plating Body: Min 0.1um Au over 1.4um Ni.

100448-2
PART NUMBER

DIMENSIONS IN MM TOLERANCES UNLESS OTHER SPECIFIED 0 = ± 0.0 = ±0.15 0.00 = ±0.10 0.000 = ± ANGLE: ±1° SURF TEXTURE: 3.2/ REMOVE BURRS. BREAK SHARP EDGES R0.05 MAX DO NOT SCALE PRINT	MATL	HT TR	FIN
	DWN	APVD	
	CHK	REL	
	JIM		
NAME BATTERY POGO CONNECTOR 2 POSITIONS PGC-1.5-3.0-R-2P-3.0PH			
SCALE	A4	DWG NO.	SHEET
1:1		C-100448	1 OF 1
			REV
			A

LOC	-
DIST	-