

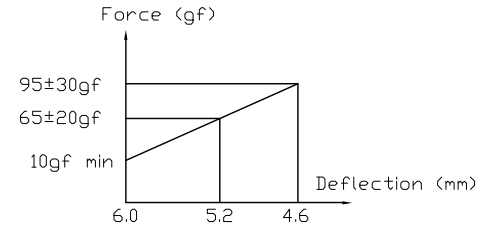
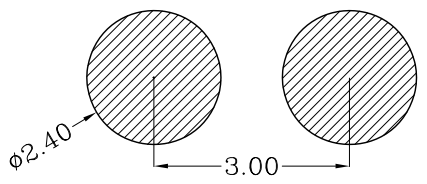
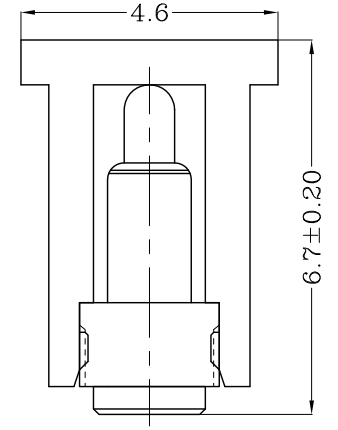
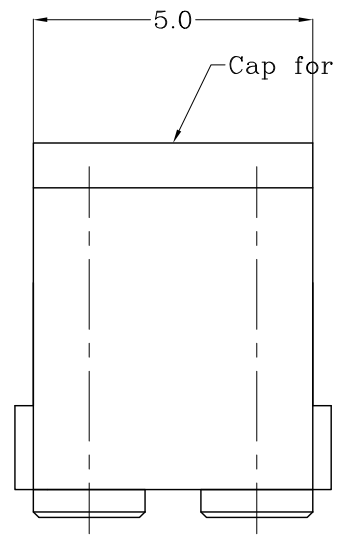
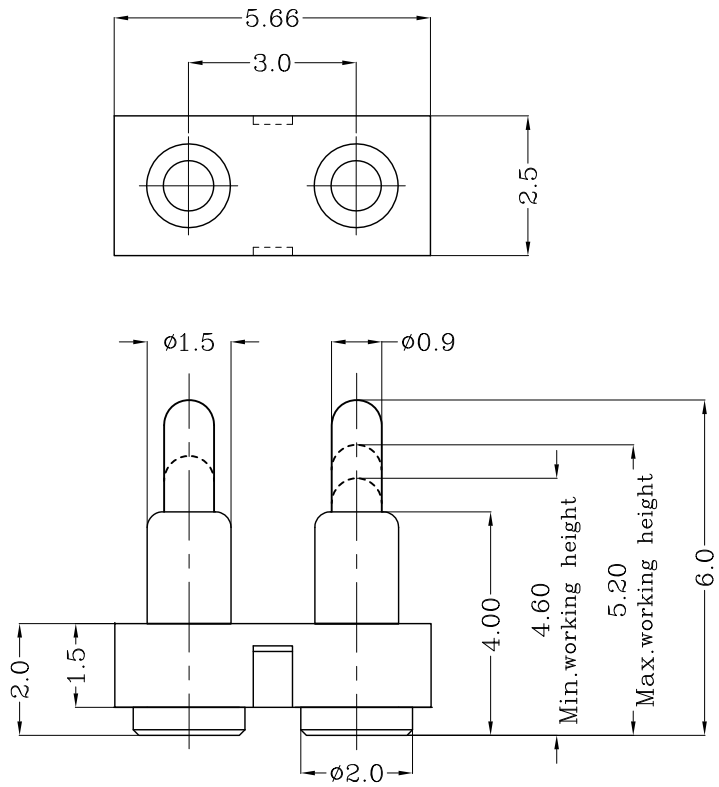
THIS INFORMATION IS CONFIDENTIAL AND IS DISCLOSED TO YOU ON CONDITION THAT NO FURTHER DISCLOSURE IS MADE BY YOU TO OTHER THAN TOP-LINK PERSONNEL WITHOUT WRITTEN AUTHORIZATION FROM TOP-LINK LTD.

DWG NO.

C-100442



USED ON
-



Recommended PCB Layout

- Notes:
 1 Material, Housing: PA 4.6 (30% Glass Filled)
 Color Black.
 Contact: Brass
 2 Mechanical demands:
 Plating Plunger: Min 0.4Um Au over 1.4um Ni
 Plating Body: Min 0.1Um Au over 1.4um .

100442-2
 PART NUMBER

DIMENSIONS IN MM TOLERANCES UNLESS OTHER SPECIFIED		MATL	HT TR	FIN
0	= ±-	△	-	- ✓
0.0	= ±0.15	DWN	APVD	
0.00	= ±0.10	Qln		top-link Top-Link Electronics Electronics Ltd.
0.000	= ±-	CHK	REL	
ANGLE: ±1°		NAME POGO CONNECTOR 2 POSITIONS PGC-1.5-6.0-R-2P-3.0PH		
SURF TEXTURE: 3.2/▽		SCALE	A4	DWG NO.
REMOVE BURRS. BREAK SHARP EDGES R0.05 MAX DO NOT SCALE PRINT		1:1	C-100442	SHEET 1 OF 1
				REV A

LDC	-
DIST	-