

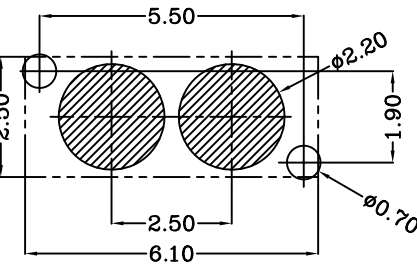
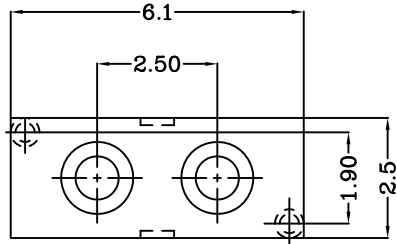
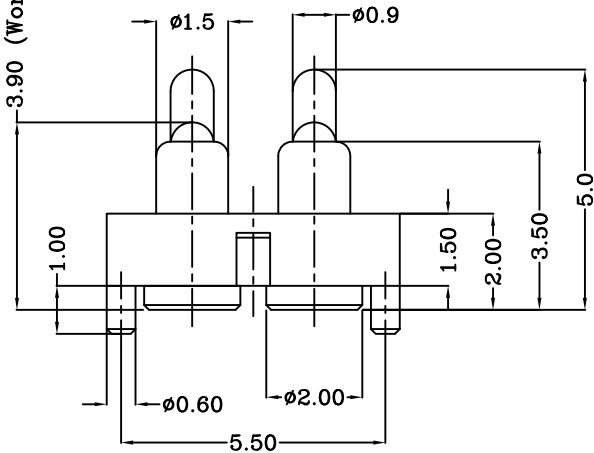
THIS INFORMATION IS CONFIDENTIAL AND IS DISCLOSED TO YOU ON CONDITION THAT NO FURTHER DISCLOSURE IS MADE BY YOU TO OTHER THAN TOP-LINK PERSONNEL WITHOUT WRITTEN AUTHORIZATION FROM TOP-LINK LTD.

DWG NO.
C-100390

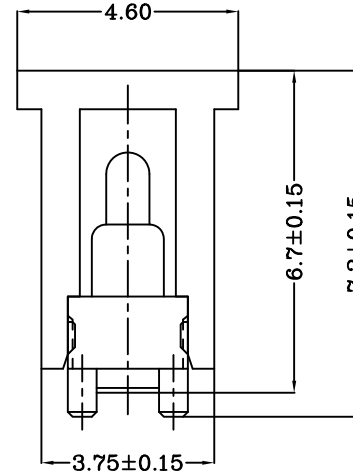
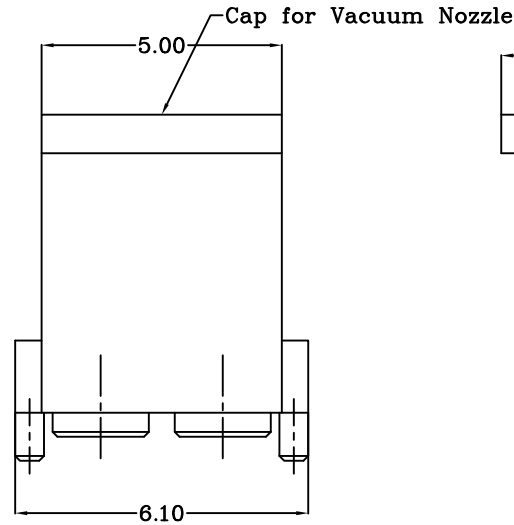


LOC	-
DIST	-

3.90 (WorkingHeight)



Recommended PCB Layout



- Notes:
 1 Material, Housing: PA 4.6 (30% Glass Filled)
 Color Black.
 Contact: Brass
 2 Mechanical demands:
 Spring force: 0.50±0.20N with 1.1mm stroke.
 Full stroke: 1.4mm
 Plating Plunger: 0.4um Au over 1.4um Ni
 Plating Body: 0.1um Au over 1.4um Ni.

USED ON
-

100390-2
PART NUMBER

DIMENSIONS IN MM
 TOLERANCES UNLESS
 OTHER SPECIFIED
 0 = ±-
 0.0 = ±0.15
 0.00 = ±0.10
 0.000 = ±
 ANGLE: ±1°
 SURF TEXTURE: 3.2/
 REMOVE BURRS. BREAK
 SHARP EDGES R0.05 MAX
 DO NOT SCALE PRINT

LTR	New	APVD	2008/08/29
REVISION RECORD		DATE	

MATL	△ 1	HT TR	-	FIN	- ✓
DWN	Jim	APVD	Lansing		
CHK	Andy	REL		Top-Link Electronics Ltd.	
NAME BATTERY POGO CONNECTOR 2 POSITIONS PGC-1.5-5.0-R-2P-2.54PH					
SCALE	1:1	A4	DWG NO. C-100390	SHEET 1 OF 1	REV A