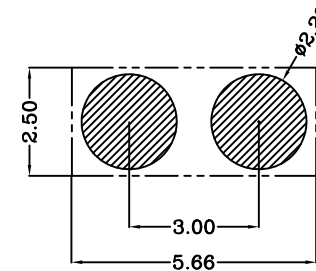
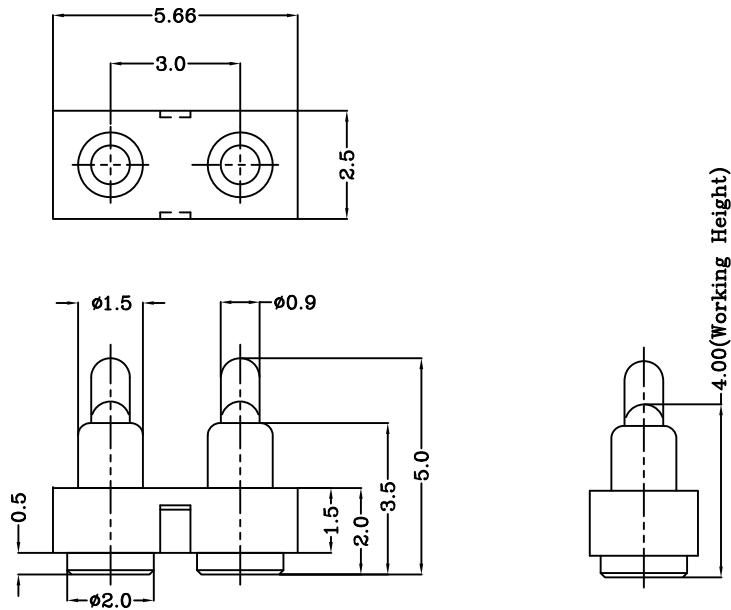


THIS INFORMATION IS CONFIDENTIAL AND IS DISCLOSED TO YOU ON CONDITION THAT NO FURTHER DISCLOSURE IS MADE BY YOU TO OTHER THAN TOP-LINK PERSONNEL WITHOUT WRITTEN AUTHORIZATION FROM TOP-LINK LTD.

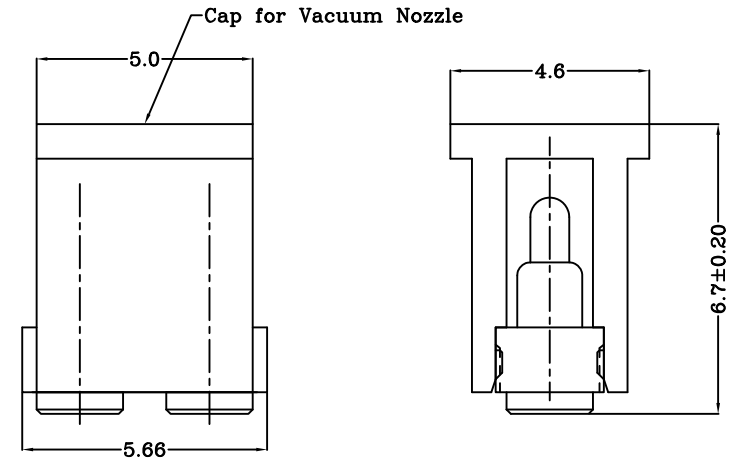
DWG NO. C-100300



USED ON _____



Recommended PCB Layout



Notes:

Material(材质):
 Housing: PA 4.6 + 30% Glass fiber; UL94 V-0 Color Black.
 Contact: Brass
 Spring :Stainless steel wire

2 Plating:

- 1)Body: Min 0.1um Gold plating over min. 1.4um Nickel plating
(Body: 镀金0.1um Min 镍底1.4um Min)
- 2)Plunger: Min 0.4um Gold plating over min. 1.4um Nickel plating
(Plunger: 镀金0.4um Min 镍底1.4um Min)

3 Mechanical:

Total stroke(总行程): 1.20mm
 Durability(寿命): 10,000 cycle min.

4 Electrical(电性能)

Contact resistance(接触抵抗): 30mOhm Max.
 Voltage rating(额定电压): 36V DC Max
 Current rating(额定电流): 2.0A

LDC	-
DIST	-

LTR	new	APVD	09/09/10
REVISION RECORD		DATE	

DIMENSIONS IN MM
 TOLERANCES UNLESS
 OTHER SPECIFIED
 0 = ±-
 0.0 = ±0.15
 0.00 = ±0.10
 0.000 = ±-
 ANGLE: ±1°
 SURF TEXTURE: 3.2/
 REMOVE BURRS. BREAK
 SHARP EDGES R0.05 MAX
 DO NOT SCALE PRINT

MATL	△	HT TR	-	FIN	- ✓
DWN	Qin	APVD		 Top-Link Electronics Ltd.	
CHK		REL			
NAME POGO CONNECTOR 2 POSITIONS PGC-1.5-5.0-R-2P-3.0PH					
SCALE	1:1	A4	DWG NO. C-100300	SHEET 1 OF 1	REV A

100300-2
PART NUMBER

4

3

2

1