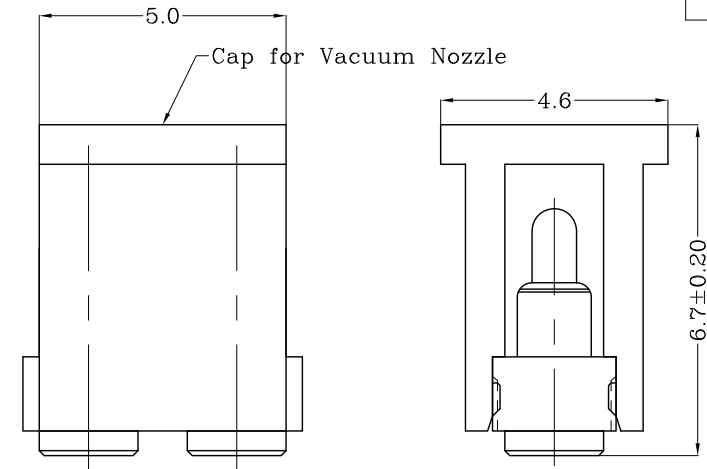
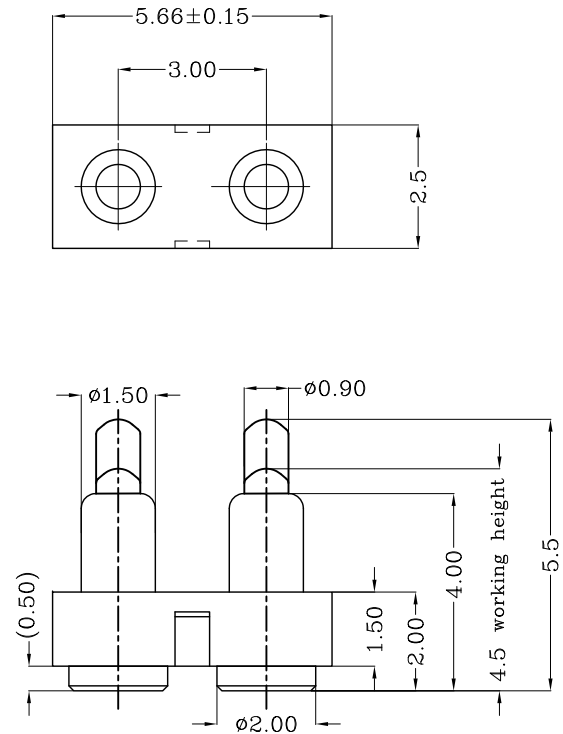


THIS INFORMATION IS CONFIDENTIAL AND IS DISCLOSED TO YOU ON CONDITION THAT NO FURTHER DISCLOSURE IS MADE BY YOU TO OTHER THAN TOP-LINK PERSONNEL WITHOUT WRITTEN AUTHORIZATION FROM TOP-LINK LTD.

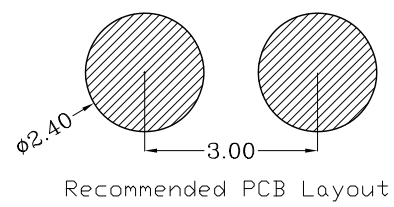
DWG NO. C-100159



USED ON -



- Notes:
- 1 Material(材质):
 Housing: PA 4.6 + 30% Glass fiber; UL94 V-0 Color Black.
 Contact: Brass
 Spring :Stainless steel wire
 - 2 Plating:
 1)Body: Min 0.1um Gold plating over min. 1.4um Nickel plating
 (Body: 镀金0.1um Min 镍底1.4um Min)
 2)Plunger: Min 0.4um Gold plating over min. 1.4um Nickel plating
 (Plunger: 镀金0.4um Min 镍底1.4um Min)
 - 3 Mechanical:
 Total stroke(总行程): 1.40mm
 Durability(寿命): 10,000 cycle min.
 - 4 Electrical(电性能)
 Contact resistance(接触抵抗): 30mOhm Max.
 Voltage rating(额定电压): 36V DC Max
 Current rating(额定电流): 2.0A



100159-2
PART NUMBER

DIMENSIONS IN MM TOLERANCES UNLESS OTHER SPECIFIED		MATL	HT TR	FIN
0	= ±-	1	-	- ✓
0.0	= ±0.15	DWN	APVD	
0.00	= ±0.10	Qin	REL	
0.000	= ±	CHK	REL	Top-Link Electronics Ltd.
ANGLE:	±1°	NAME POGO CONNECTOR 2 POSITIONS		
SURF TEXTURE:	3.2/▽	PGC-1.5-5.5-R-2P-3.0PH		
REMOVE BURRS. BREAK SHARP EDGES R0.05 MAX DO NOT SCALE PRINT	SCALE 1:1	A4	DWG NO. C-100159	SHEET 1 OF 1

LOC	-
DIST	-

LTR	NEW	2008/10/31
REVISION RECORD	APVD	DATE