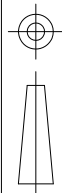
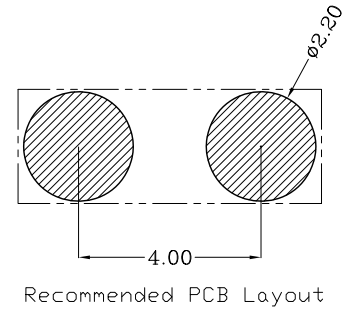
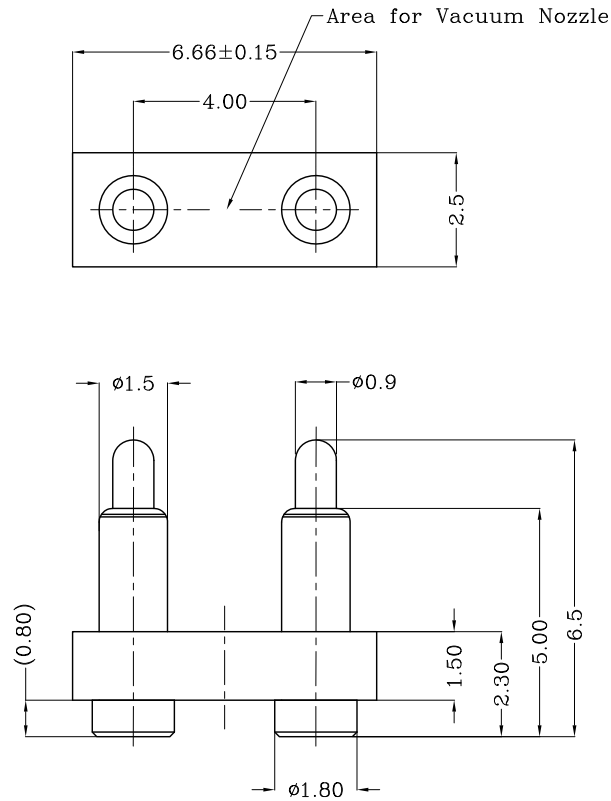


THIS INFORMATION IS CONFIDENTIAL AND IS DISCLOSED TO YOU ON CONDITION THAT NO FURTHER DISCLOSURE IS MADE BY YOU TO OTHER THAN TOP-LINK PERSONNEL WITHOUT WRITTEN AUTHORIZATION FROM TOP-LINK LTD.

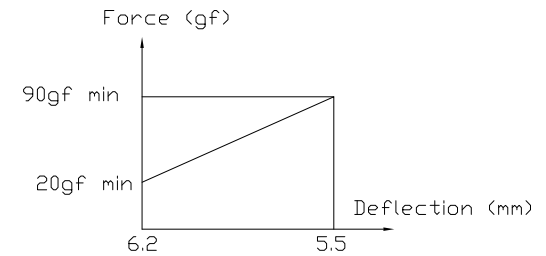
DWG NO.
C-100154



USED ON
-



- Notes:
- Material, Housing: PA 4.6 (30% Glass Filled)
Color Black.
Contact: Brass
 - Mechanical demands:
Plating Plunger: Min 0.4Um Au over 1.25um Ni
Plating Body: Min 0.1Um Au over 1.25um Ni.



LOC	-
DIST	-

	Update remark		2007/12/03
LTR	REVISION RECORD	APVD	DATE

DIMENSIONS IN MM
TOLERANCES UNLESS
OTHER SPECIFIED
0 = ±-
0.0 = ±0.15
0.00 = ±0.10
0.000 = ±
ANGLE: ±1°
SURF TEXTURE: 3.2/
REMOVE BURRS. BREAK
SHARP EDGES R0.05 MAX
DO NOT SCALE PRINT

MATL		HT TR	-	FIN	-
DWN		APVD		 Top-Link Electronics Ltd.	
CHK		REL			
NAME BATTERY POGO CONNECTOR 2 POSITIONS PGC-1.5-6.5-R-2P-4.0PH					
SCALE	1:1	A4	DWG NO.	C-100154	SHEET 1 OF 1
					REV B

4

3

2

1

D

C

B

A