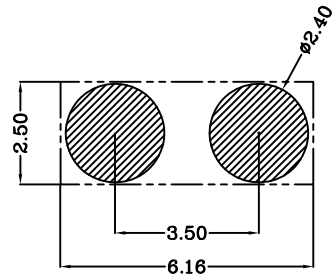
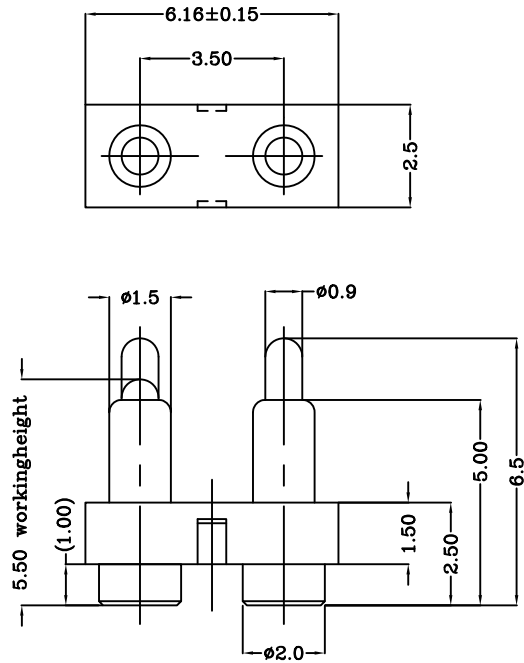


THIS INFORMATION IS CONFIDENTIAL AND IS DISCLOSED TO YOU ON CONDITION THAT NO FURTHER DISCLOSURE IS MADE BY YOU TO OTHER THAN TOP-LINK PERSONNEL WITHOUT WRITTEN AUTHORIZATION FROM TOP-LINK LTD.

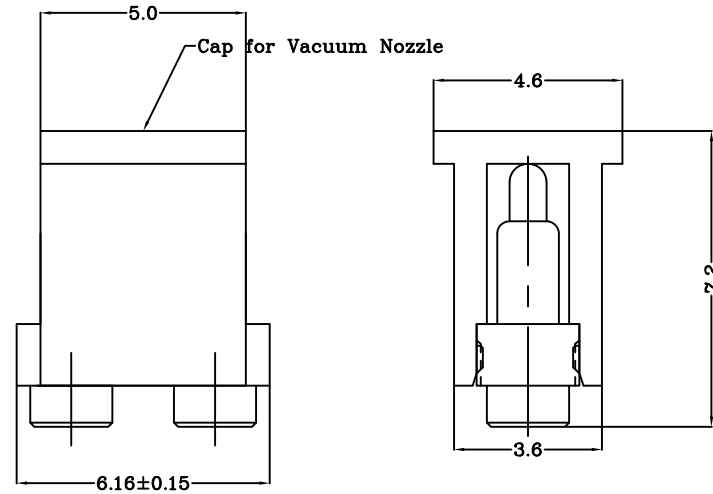
DWG NO.
C-100022



USED ON
-



Recommended PCB Layout



- Notes:
- Material, Housing: PA 4.6 (30% Glass Filled)
Color Black.
Contact: Brass
 - Mechanical demands:
Full stroke: 1.4mm
Plating Plunger: 0.4um Au over 1.4um Ni
Plating Body: 0.1um Au over 1.4um Ni.

100022-2

PART NUMBER

DIMENSIONS IN MM TOLERANCES UNLESS OTHER SPECIFIED		MATL	HT TR	FIN
0 = ±-		△	-	✓
0.0 = ±0.15		DWN	APVD	 Top-Link Electronics Ltd.
0.00 = ±0.10		CHK	REL	
0.000 = ±		NAME POGO CONNECTOR 2 POSITIONS		
ANGLE: ±1°		PGC-1.5-6.5-R-2P-3.5PH		
SURF TEXTURE: 3.2/▽		SCALE	A4	DWG NO.
REMOVE BURRS. BREAK SHARP EDGES R0.05 MAX DO NOT SCALE PRINT		1:1	C-100022	C-100022
LTR		REVISION RECORD	APVD	DATE
Update remark		2007/09/07		
SHEET		1 OF 1		REV B

LOC	-
DIST	-

4

3

2

1